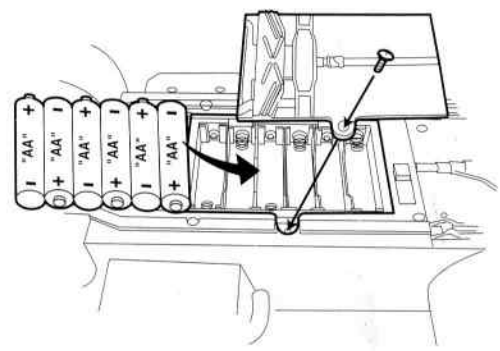
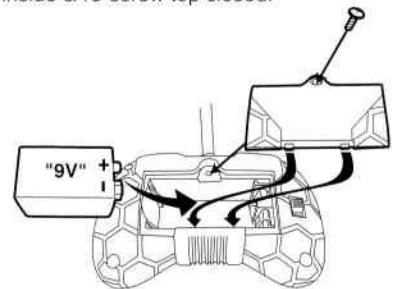




SEWER SPEWER INSTRUCTIONS:



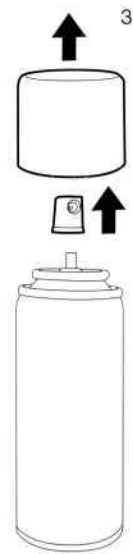
1. With parental supervision, unscrew top of battery compartment beneath the vehicle. Then, place 6 (six) AA alkaline batteries inside & re-screw top closed.



2. With your parent's help, unscrew top to battery compartment on remote control. Then, place 1 (one) 9-Volt battery inside and re-screw top closed.

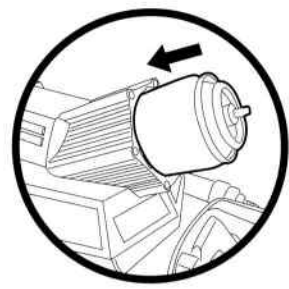
CAUTION: Do not spray on walls, floors, clothing, furniture or vinyl as string may stain certain types of surfaces and fabrics.

Do not spray in face or eyes. Do not ingest string. Not recommended for indoor use.



3. Next, remove the cover cap to the Sewer Spew spray canister. Then remove the Sewer Spew sprayer nozzle.

4. Turn the small nozzle adjustment counter-clockwise until you hear it click. Then, turn the top to the turret counter-clockwise and remove it from the turret body.

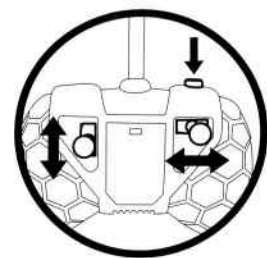


5. Shake Sewer Spew canister well before use. Then, place the Sewer Spew canister into the main turret body cavity with the top of the canister facing out.

6. Place the turret top over the top of the Sewer Spew canister and turn it clockwise until it fits tightly into the turret body. Turn the small nozzle adjustment clockwise until you hear it click.



7. Turn the wheel alignment switch (located towards the front end of the vehicle) to initially line up the Sewer Spewer's direction, either in the middle, to the left, or to the right.



8. Turn both power switches to the "On" position. One is located underneath vehicle towards the front end. The other is located on the backside of the remote control.

9. Time to get mobile and do some sewer spewing! Take the remote control in hand. The button on the left controls the forward and reverse direction, while the button on the right controls the left and right steering movements. Best of all, the button on the top of the remote control shoots out Sewer Spew! Once you've run out of Spew, it's time to get more! Sewer Spewer can be refilled with Sewer Spew refill cans or other similar sized cans.

Battery Regulations:

- do not mix old and new batteries,
- do not mix alkaline, standard (carbon-zinc), or rechargeable (nickel-cadmium) batteries.

This device complies with Part 15 of the FCC Rules. Operation is subject to the following two conditions: (1) this device may not cause harmful interference, and (2) this device must accept any interference received, including interference that may cause undesired operation.

Warning: Changes or modifications to this unit not expressly approved by the party responsible for compliance could void the user's authority to operate the equipment.

NOTE: This equipment has been tested and found to comply with the limits for a Class B digital device, pursuant to Part 15 of the FCC Rules. These limits are designed to provide reasonable protection against harmful interference in a residential installation. This equipment generates, uses and can radiate radio frequency energy and, if not installed and used in accordance with the instructions, may cause harmful interference to radio communications.

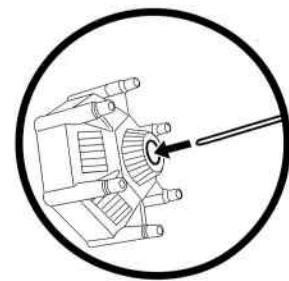
However, there is no guarantee that interference will not occur in a particular installation. If this equipment does cause harmful interference to radio or television reception, which can be determined by turning the equipment off and on, the user is encouraged to try to correct the interference by one or more of the following measures:

- Reorient or relocate the receiving antenna.
- Increase the separation between the equipment and receiver.
- Connect the equipment into an outlet on a circuit different from that to which the receiver is connected.
- Consult the dealer or an experienced radio/TV technician for help.

Battery Instructions:

- do not use rechargeable batteries;
- non-rechargeable batteries are not to be recharged;
- different types of batteries or new and used batteries are not to be mixed;
- only batteries of the same or equivalent type as recommended are to be used;
- batteries are to be inserted with the correct polarity;
- exhausted batteries are to be removed from the toy;
- the supply terminals are not to be short-circuited.

Under the environment with severe electrostatic discharge, the product may malfunction and requires user reset.



FOR BEST USE:

Shake Sewer Spew canister well before use. In case of jam-up or prolonged inactivity, clean nozzle with included plastic tool (with your parent's help). To do so, remove cover cap (see #4) and insert tool through hole. Note: Cleaning cap with warm water may help loosen clogs.

WARNING: CHOKING HAZARD
Small parts. Not for Children under 3 years.

Ages 8 and up
Playmates

STOCK NO. 54577

CAUTION: Don't shoot human and animals within 12 inches.

Teenage Mutant Ninja Turtles® © 2005 Mirage Studios, Inc. Teenage Mutant Ninja Turtles®, Leonardo®, Michelangelo®, Donatello®, Raphael®, Splinter®, Shredder®, and April O'Neil® are registered trademarks of Mirage Studios, Inc. All Rights Reserved. PRINTED IN CHINA.