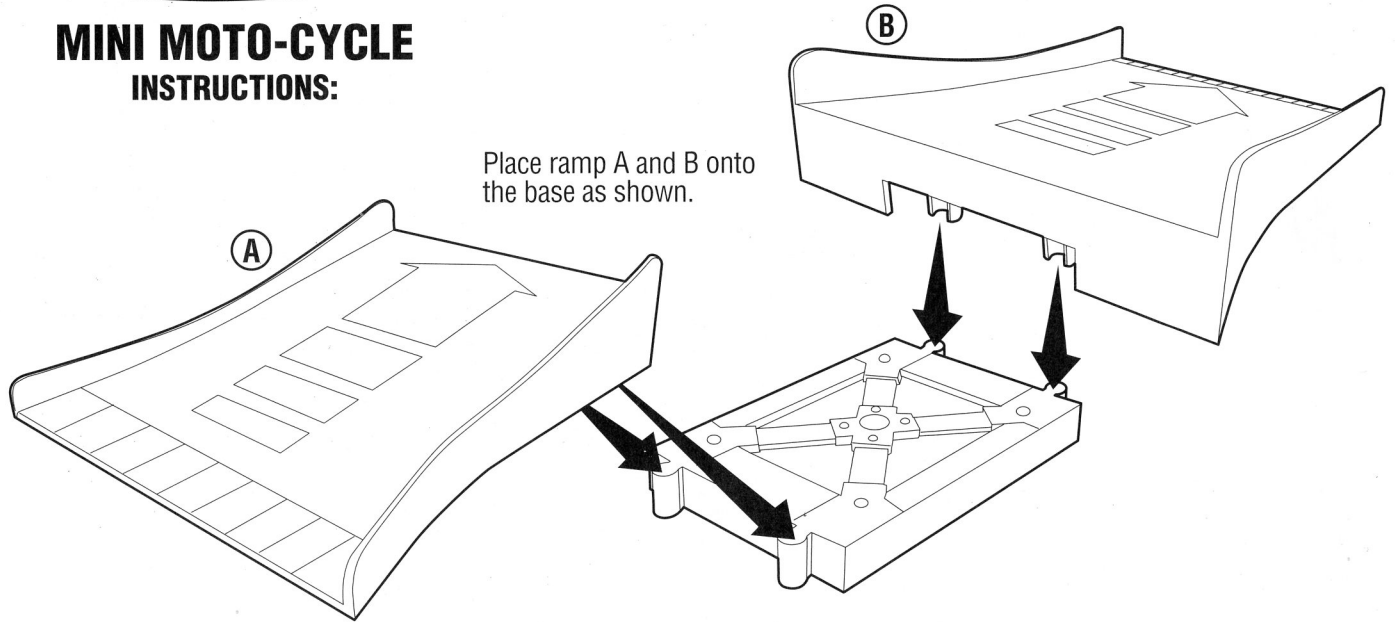




## MINI MOTO-CYCLE INSTRUCTIONS:

Place ramp A and B onto  
the base as shown.



Age 4 and up

**Playmates**

ASST. NO. 55080  
STOCK NO. 55081/55082

Teenage Mutant Ninja Turtles and TMNT are trademarks of  
Mirage Studios, Inc. Teenage Mutant Ninja Turtles®, Leonardo®,  
Michelangelo®, Raphael®, Donatello®, Splinter®, Shredder®,  
and April O'Neil® are registered trademarks of Mirage Studios,  
Inc. All Rights Reserved. PRINTED IN CHINA.



**WARNING: CHOKING HAZARD**  
Small parts. Not for Children under 3 years.