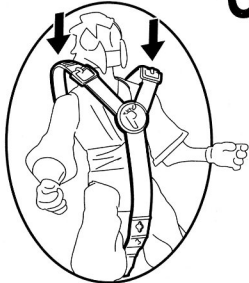
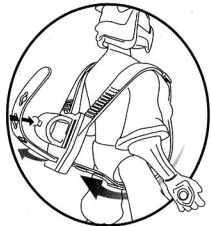


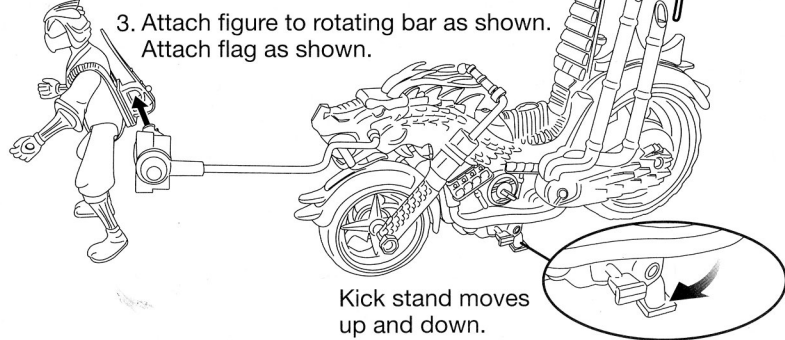
nickelodeon™
TEENAGE MUTANT NINJA
TURTLES™
DRAGON
CHOPPER



1. Harness is removable. To attach harness put over head and strap goes in between the legs.



2. Pull through the hole and hook onto knob. Pull tightly so there is no slack in harness.



3. Attach figure to rotating bar as shown. Attach flag as shown.

Kick stand moves up and down.

⚠ WARNING:
CHOKING HAZARD- Small parts. Not for Children under 3 years.

Playmates
TOYS

Ages 4 and up
 Asst. #94000
 Item #94003

©2012 Viacom International Inc. All Rights Reserved. TEENAGE MUTANT NINJA TURTLES and all related titles, logos and characters are trademarks of Viacom International Inc.

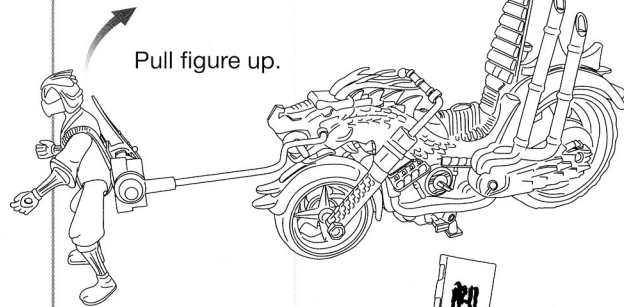
©2012 Viacom Overseas Holdings C.V. All Rights Reserved.

TEENAGE MUTANT NINJA TURTLES and all related titles, logos and characters are trademarks of Viacom Overseas Holdings C.V.

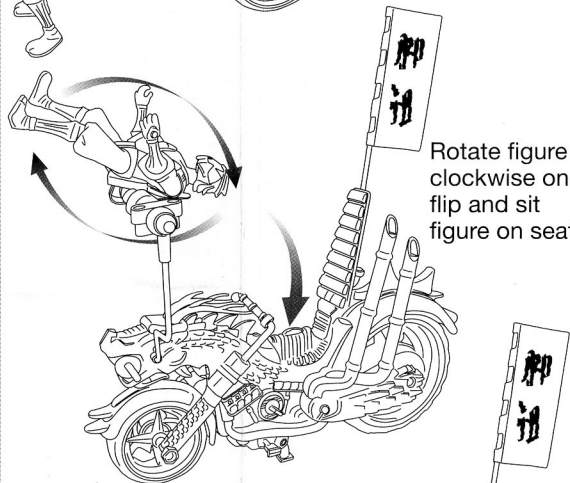
© 2012 Playmates Toys Inc. Distributed by Playmates Toys Inc. 909 N. Sepulveda Blvd., Suite 800, El Segundo, CA 90245.

PRINTED IN CHINA.

To Set:

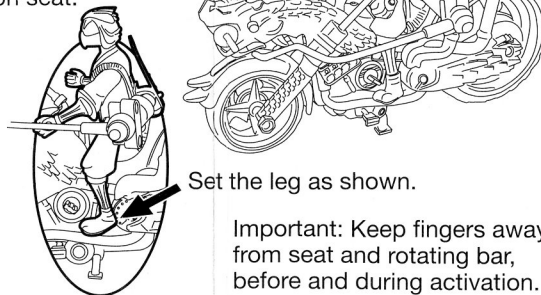


Pull figure up.



Rotate figure clockwise one flip and sit figure on seat.

Figure should not hold handle bars and make sure figure's bottom is touching the seat. Note: Figure is in semi-standing position while positioned on seat.



Set the leg as shown.

Important: Keep fingers away from seat and rotating bar, before and during activation.

To Activate:

Press button to activate feature.

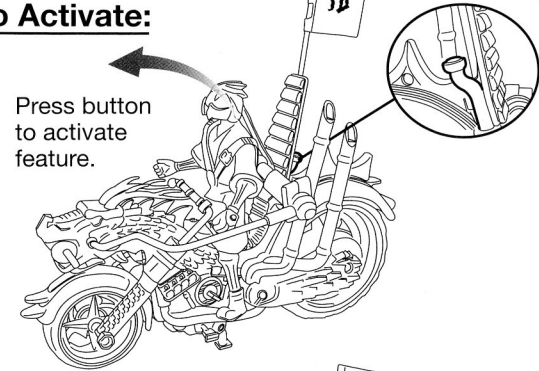
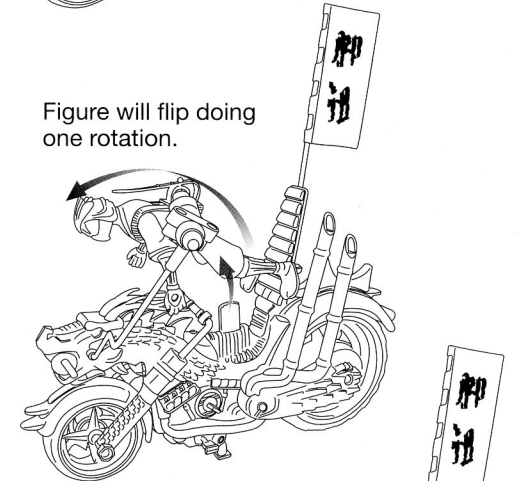
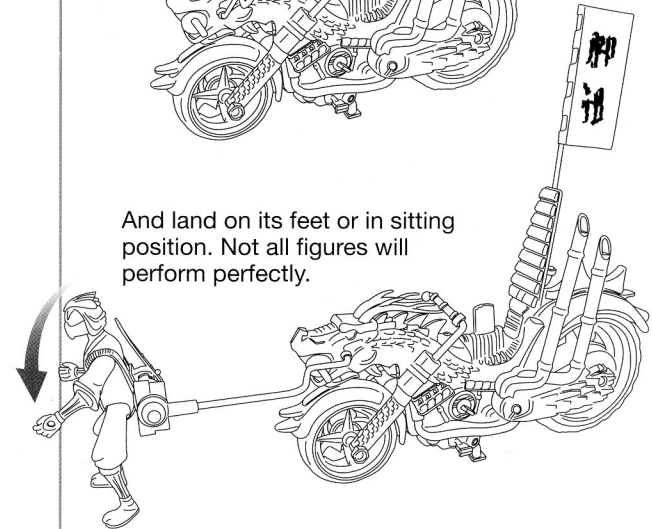


Figure will flip doing one rotation.



And land on its feet or in sitting position. Not all figures will perform perfectly.



For more detailed instruction information visit www.Playmatestoys.com
 Dragon Chopper works with most Turtle figures