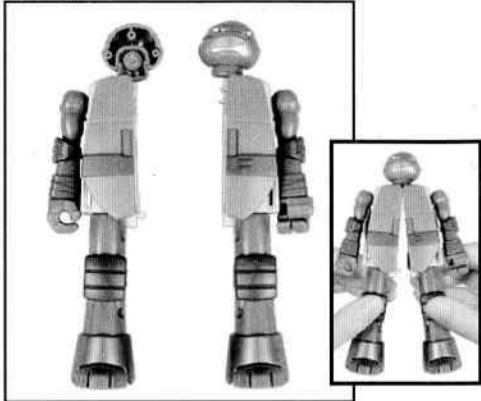


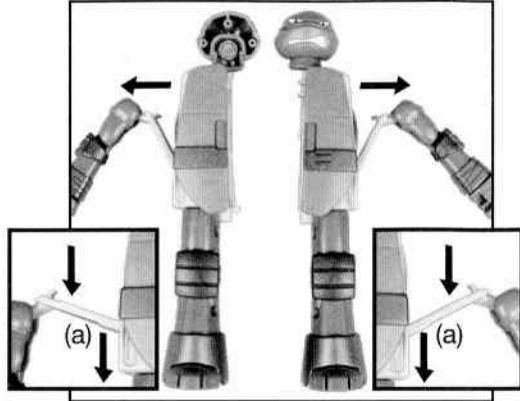
# Raphael to Sais

For more detailed  
instruction information visit  
[www.Playmatestoys.com](http://www.Playmatestoys.com)

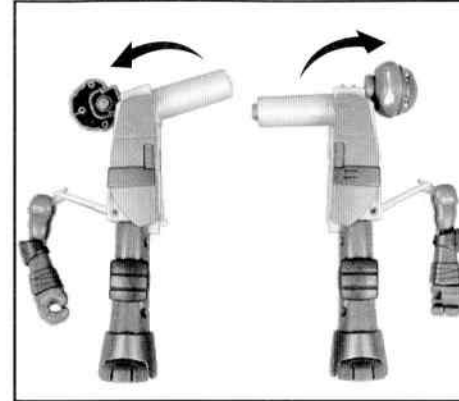
**WARNING:**  
CHOKING HAZARD- Small parts.  
Not for Children under 3 years.



1) Pull figure apart.

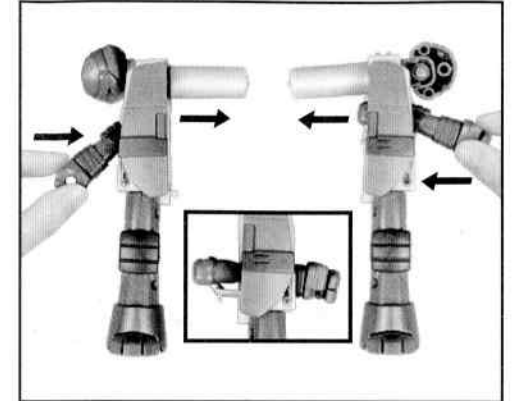


2) Pull arm out and slide panel down (a).

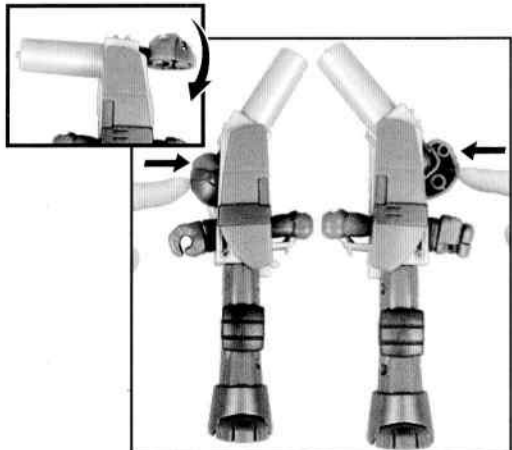


3a) Turn head half way around.

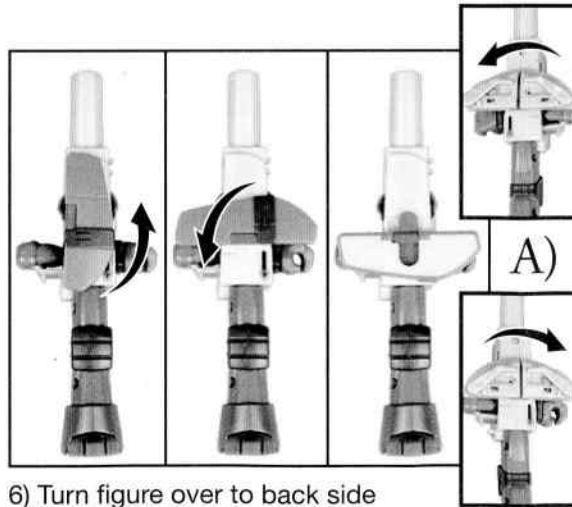
3b) Swivel head to the side.



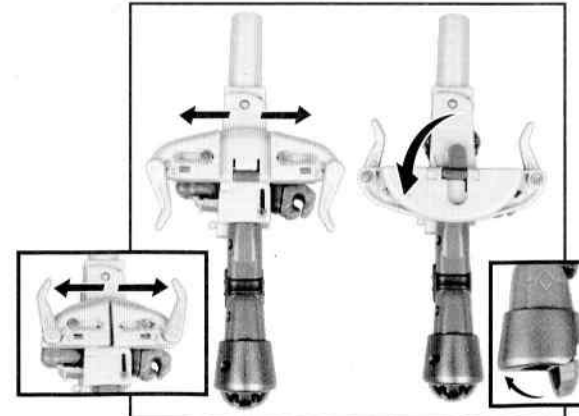
4) Push arm through mid section until it is flat across the bottom.



5) Swivel head around and push into middle section. Blade should be pointed straight up.

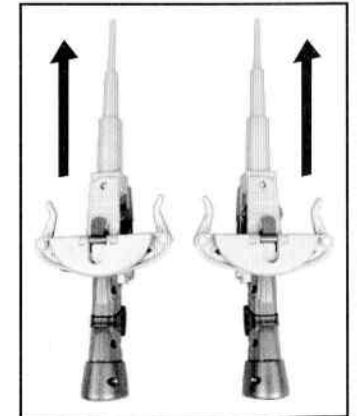


6) Turn figure over to back side facing up. A) Rotate back piece 90 degrees so the flat edge is facing down.



7) Rotate arms out and extend both side plates outward until they snap into place.

8) Fold over blade base and snap into place. Fold in toe.



9) Extend blades.