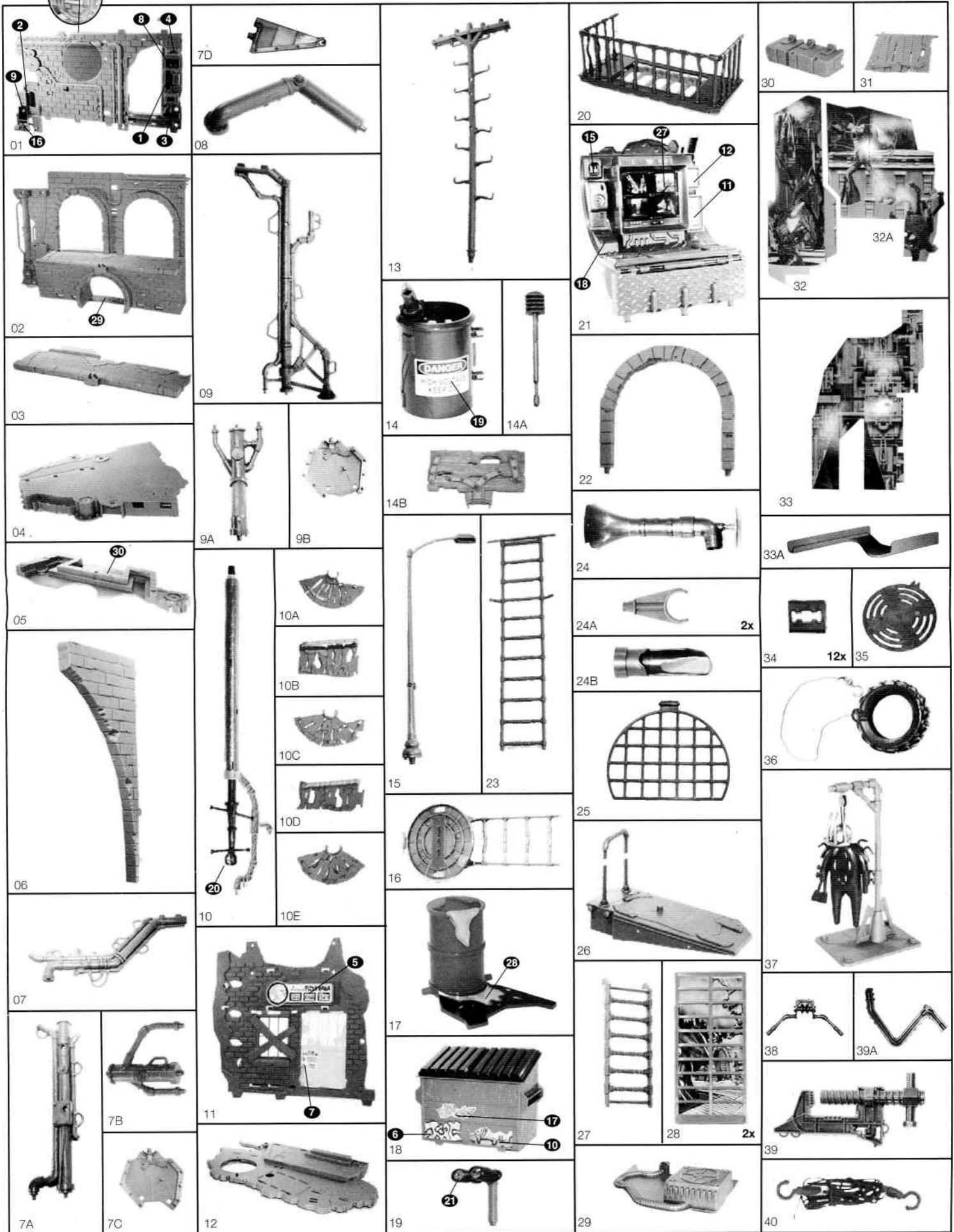
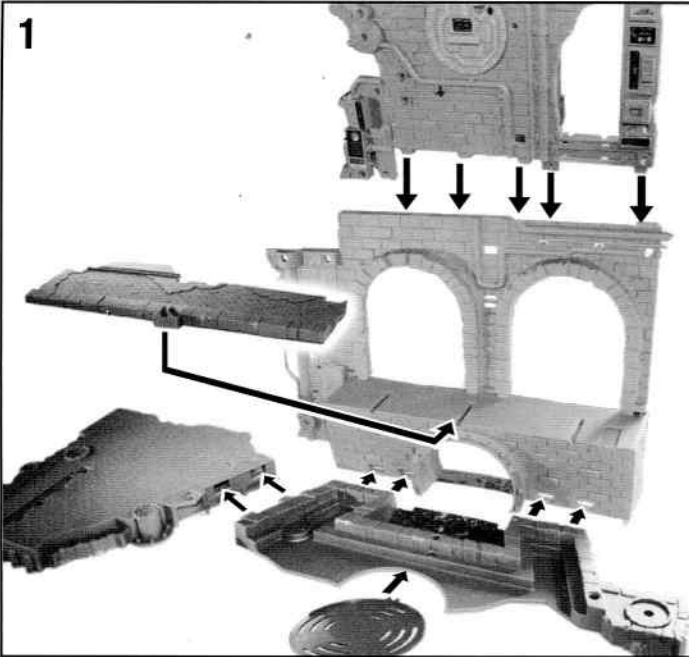


# COMPONENTS

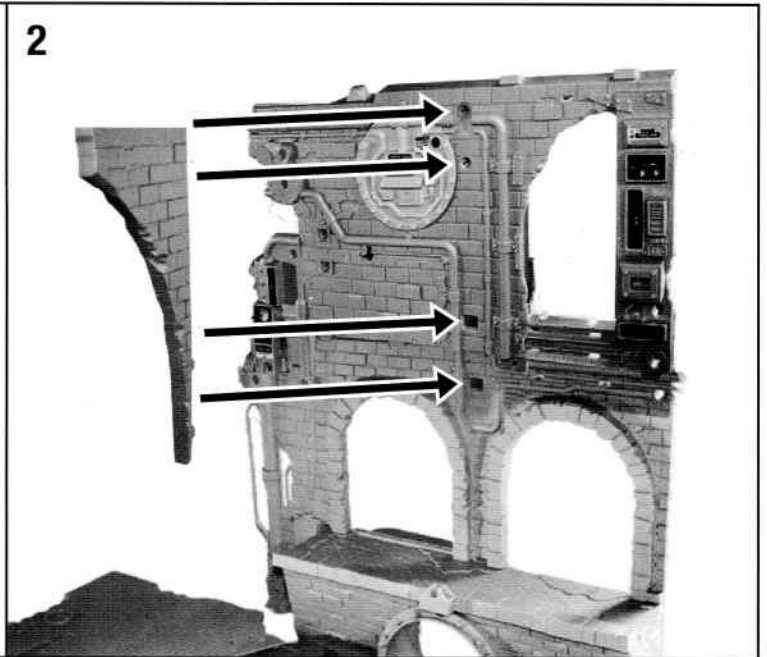


# ASSEMBLY INSTRUCTION

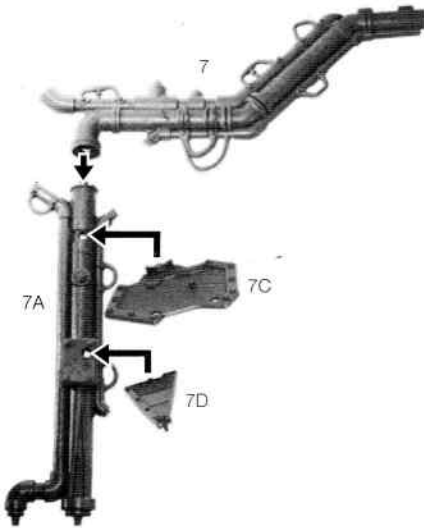
1



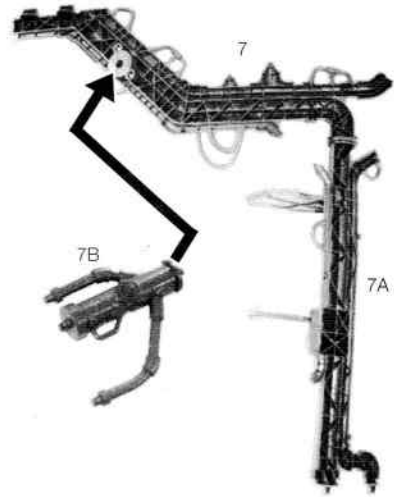
2



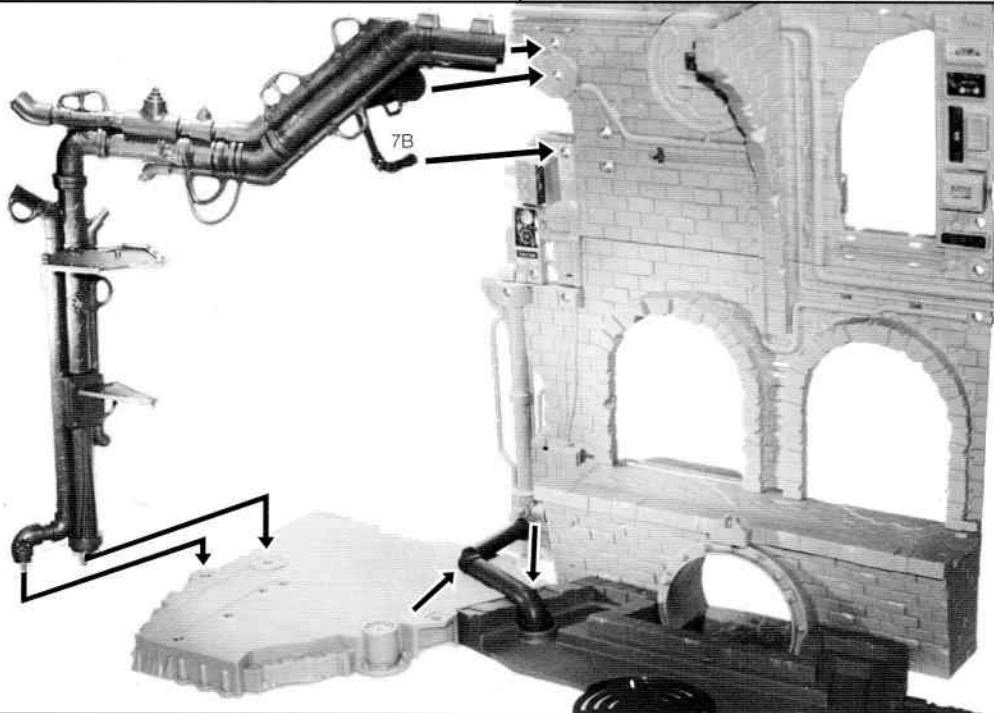
3



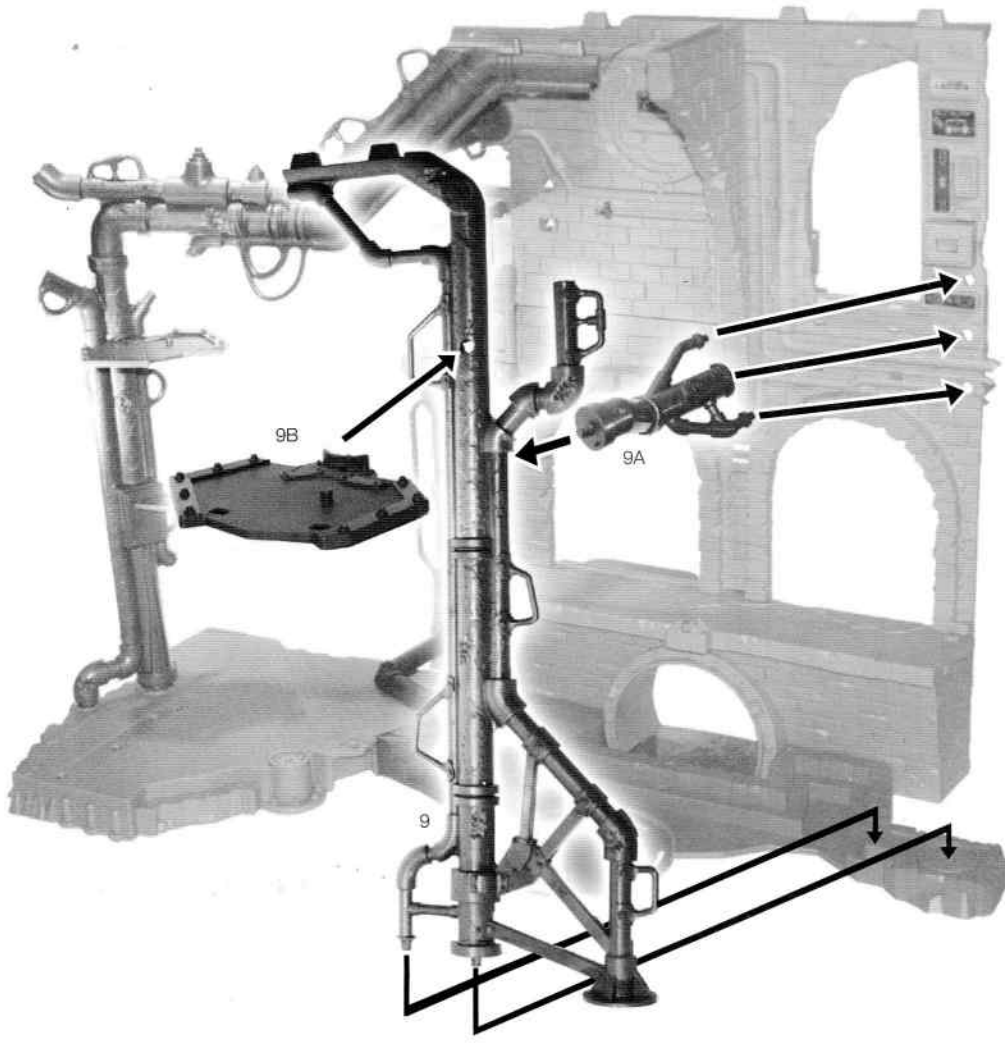
4



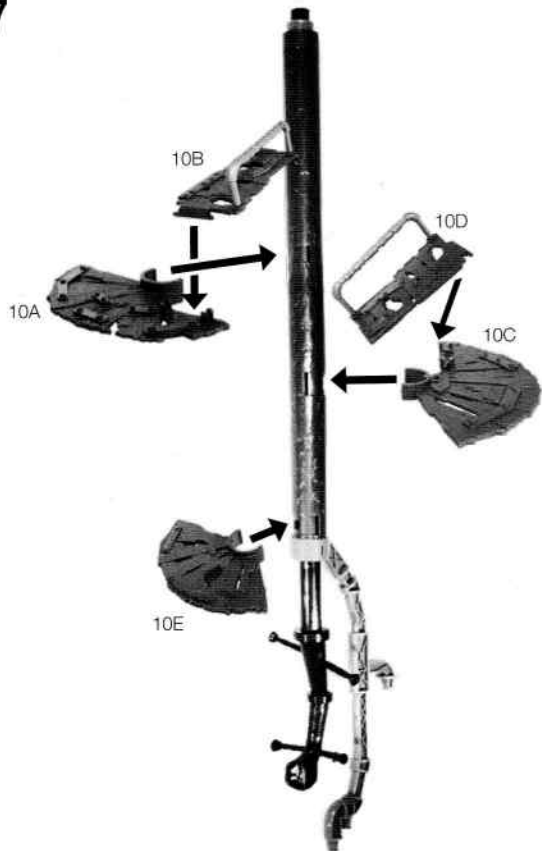
5



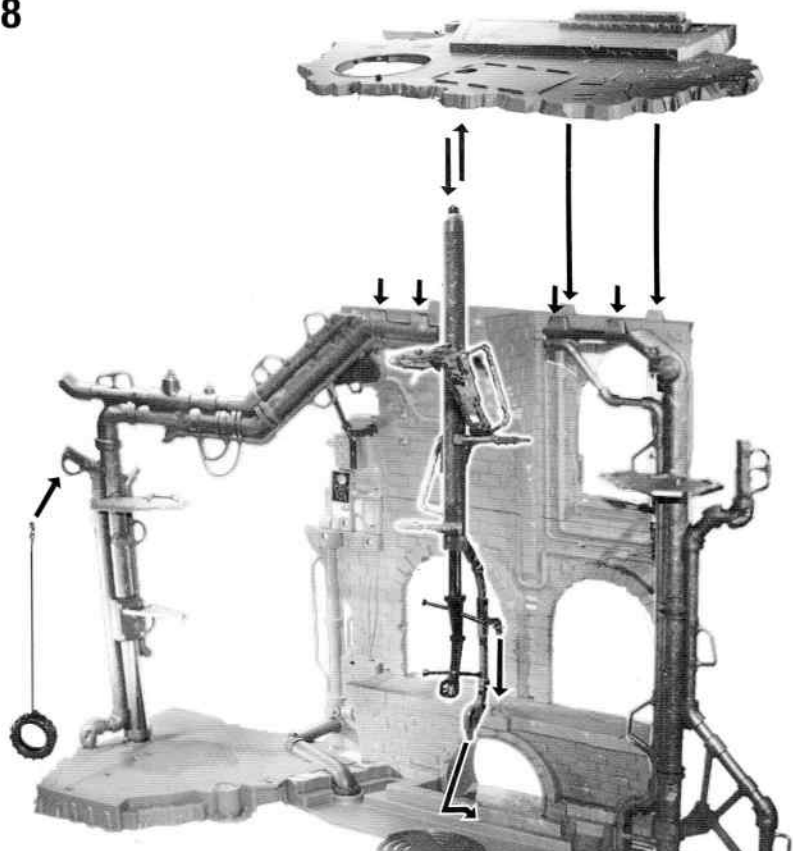
6



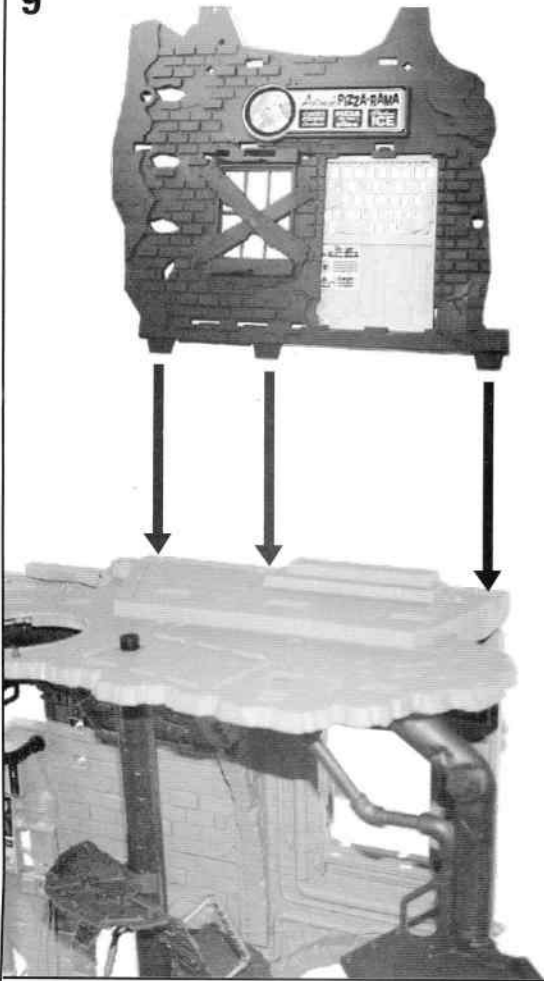
7



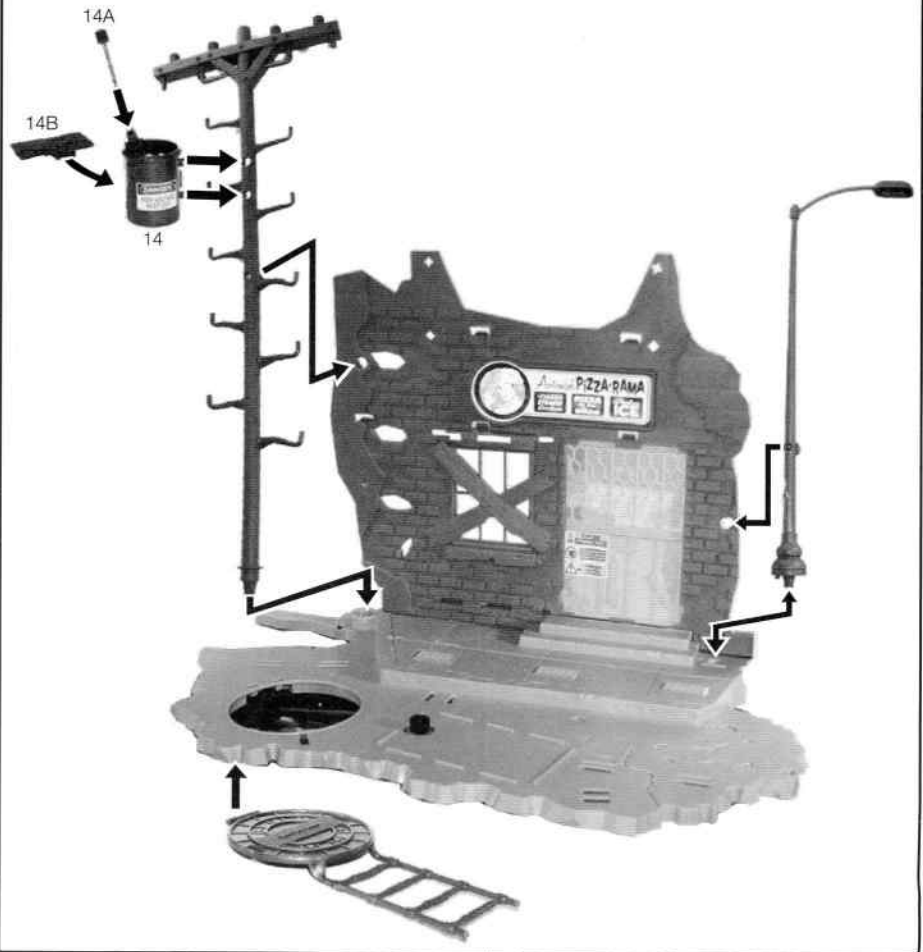
8



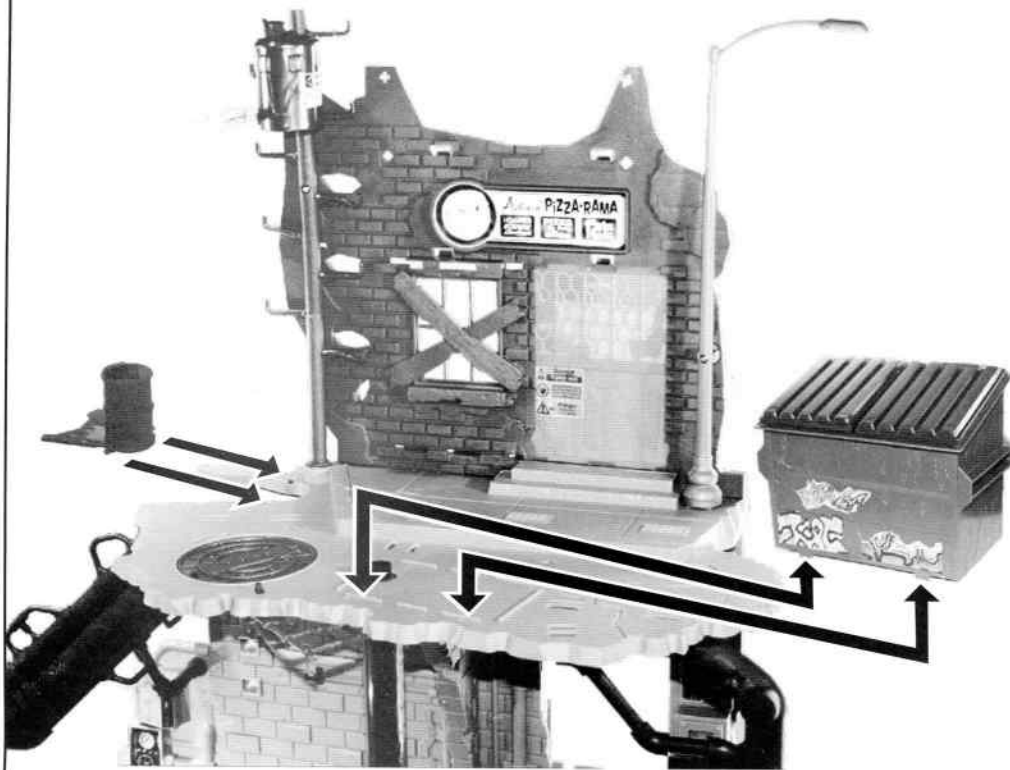
9



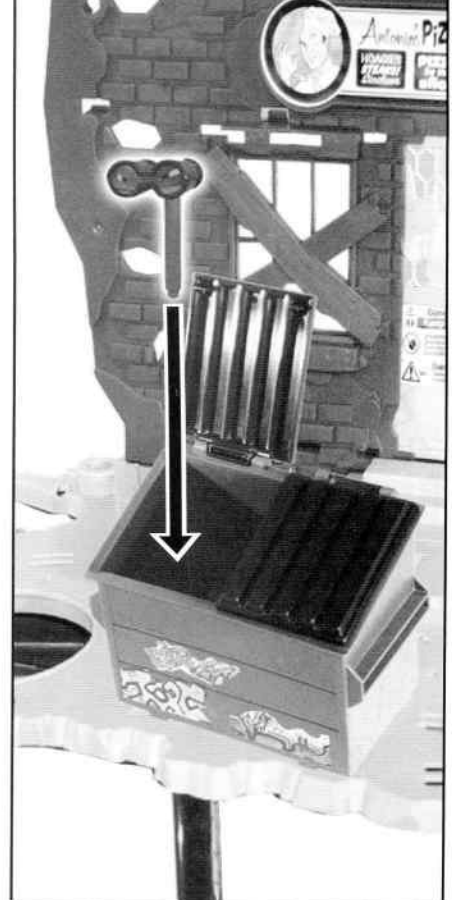
10

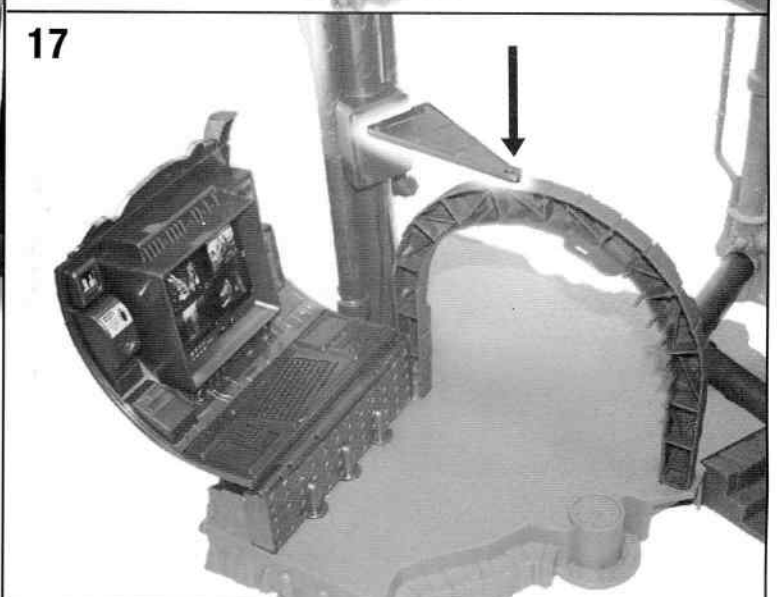
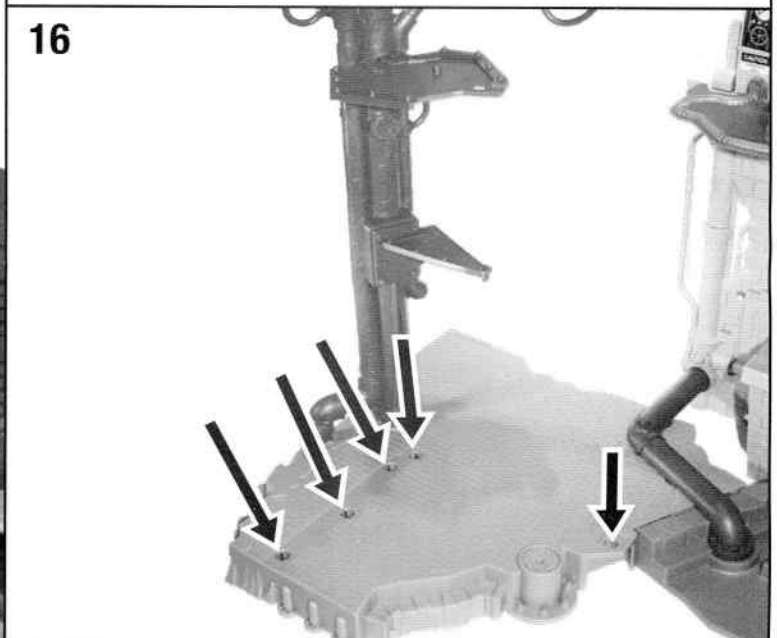
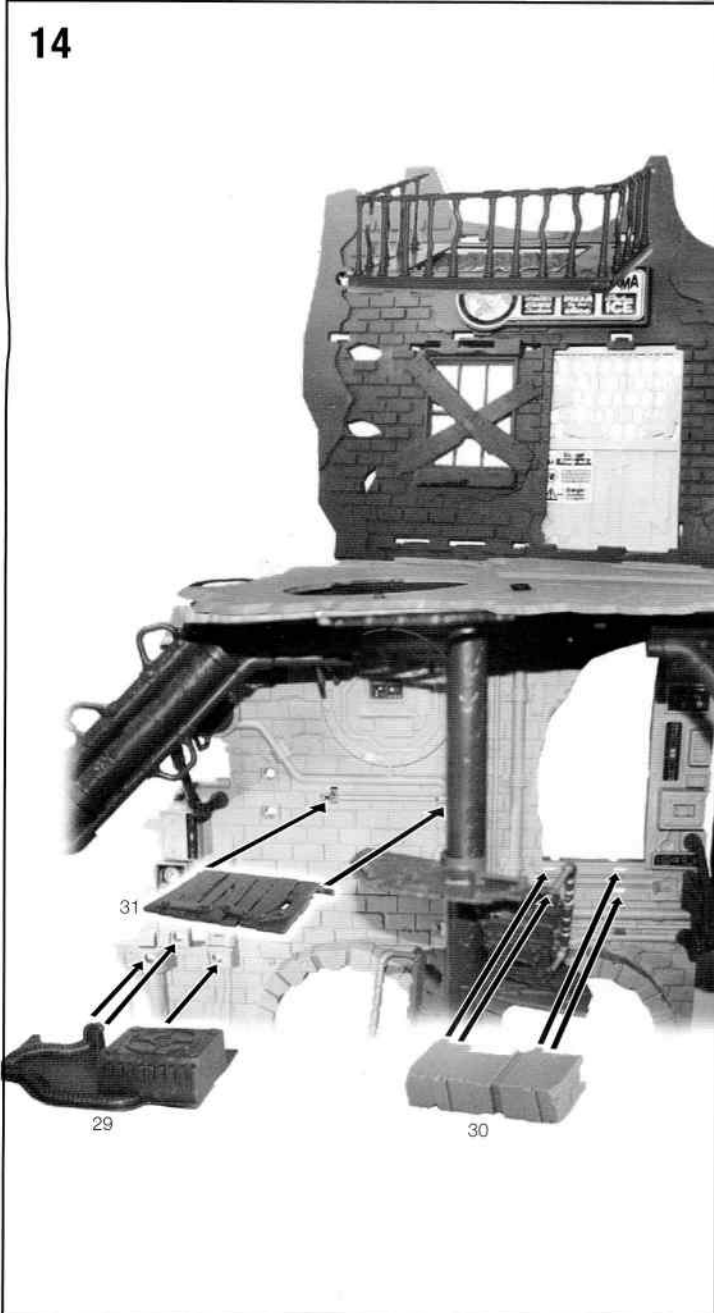
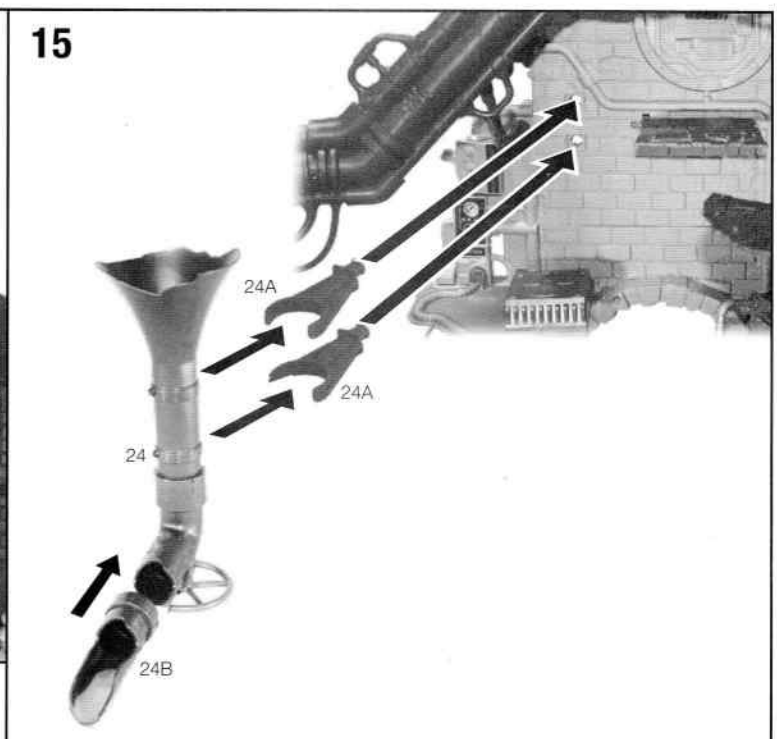
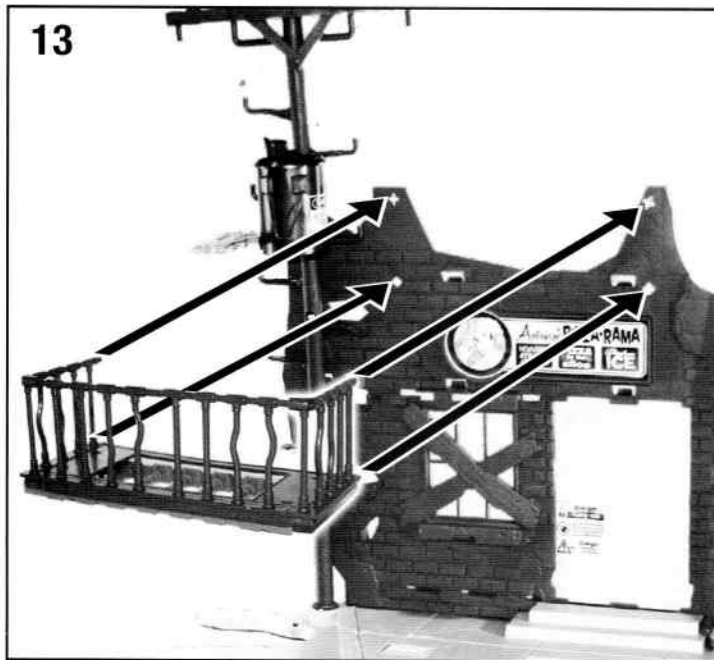


11

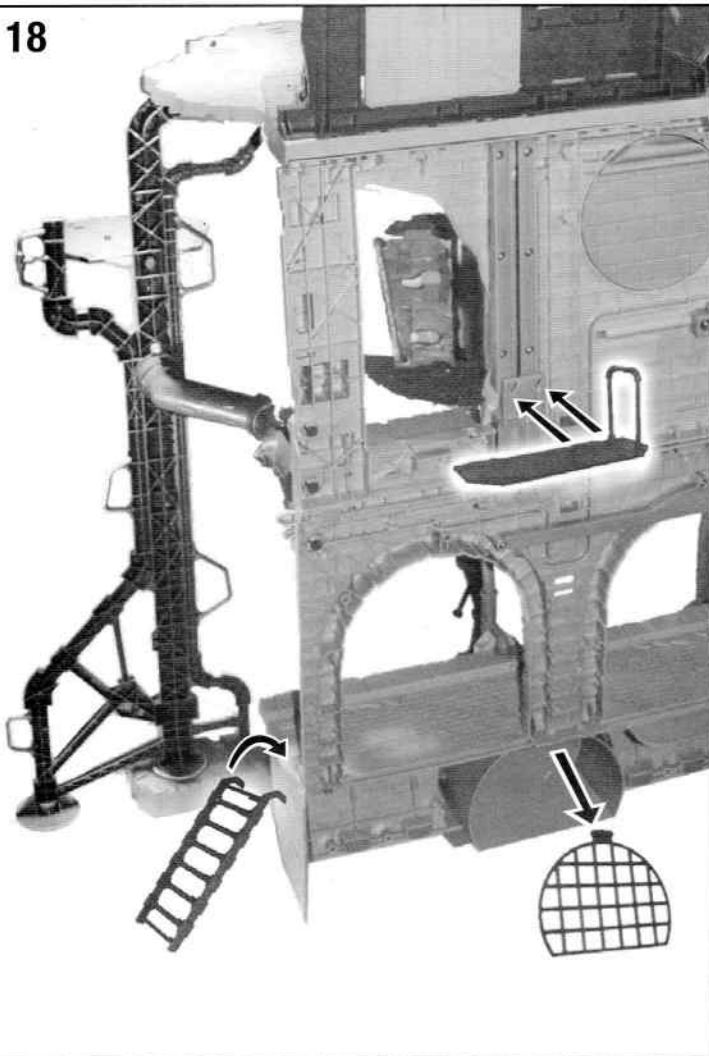


12

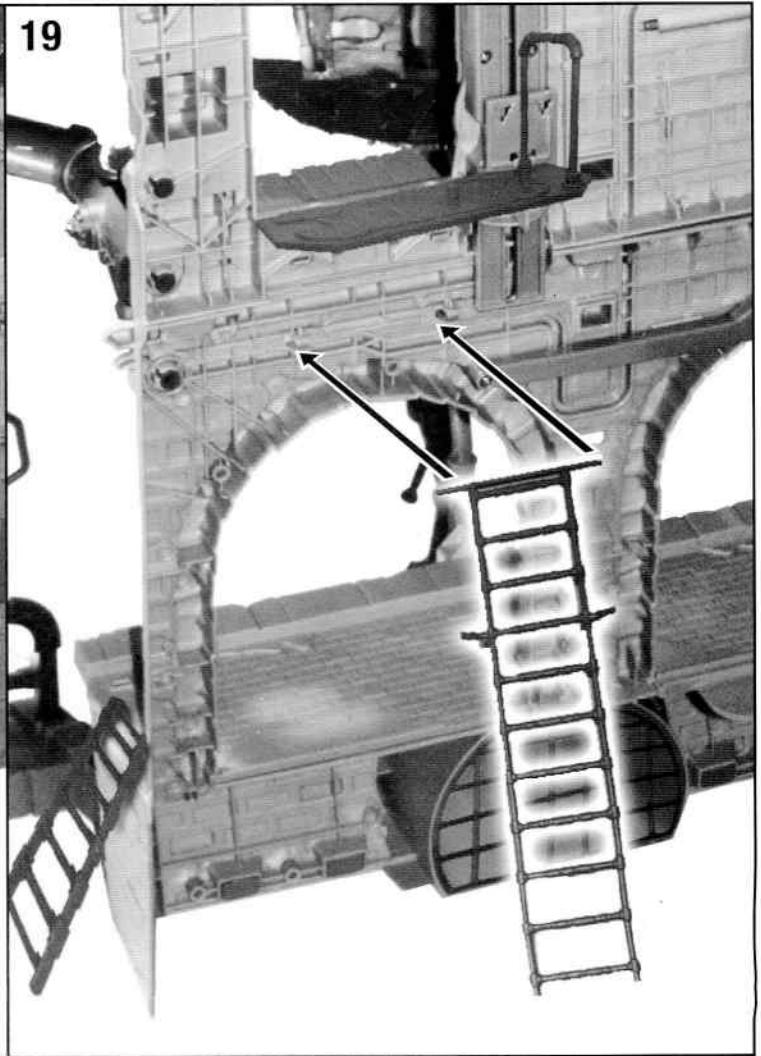




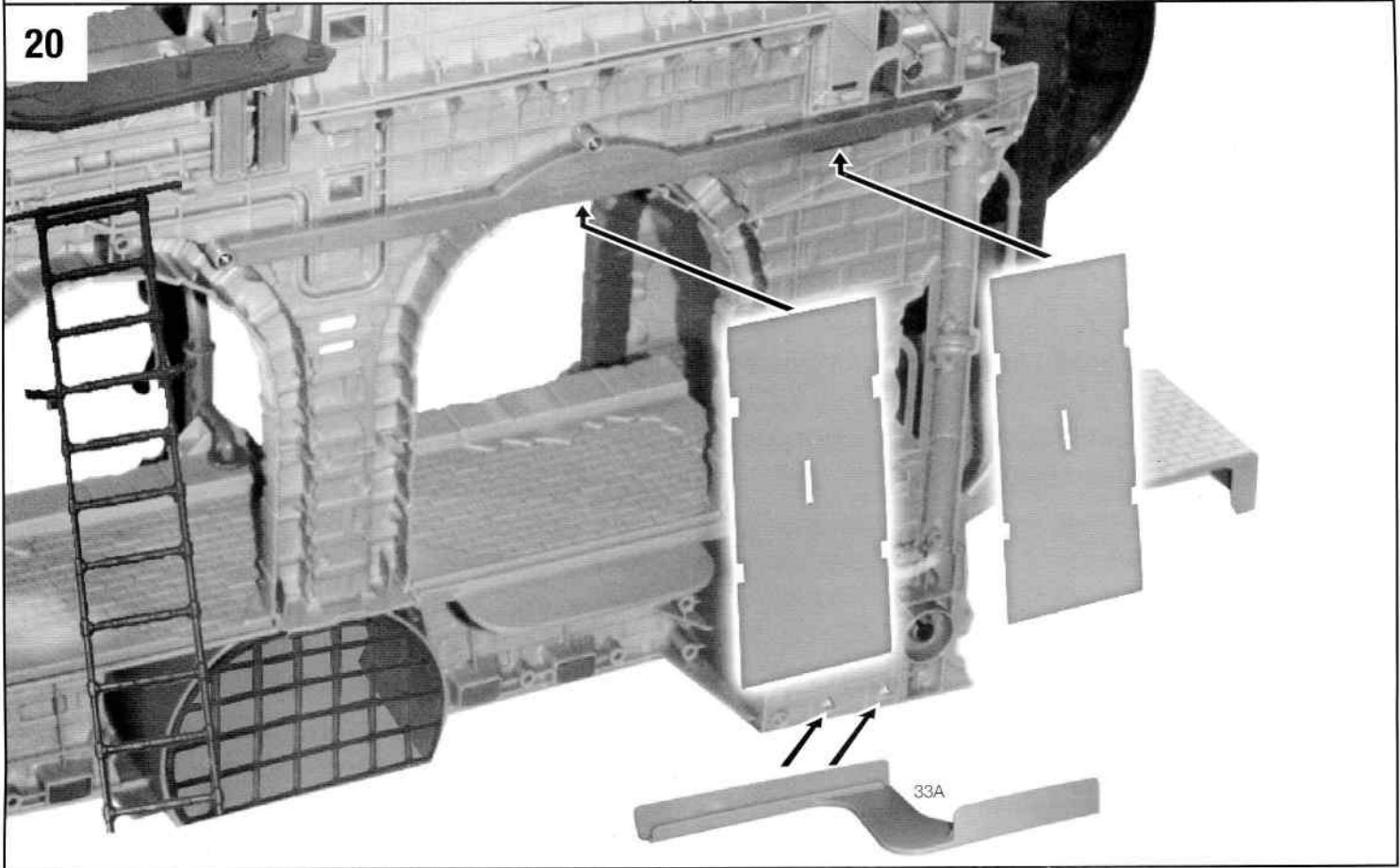
18



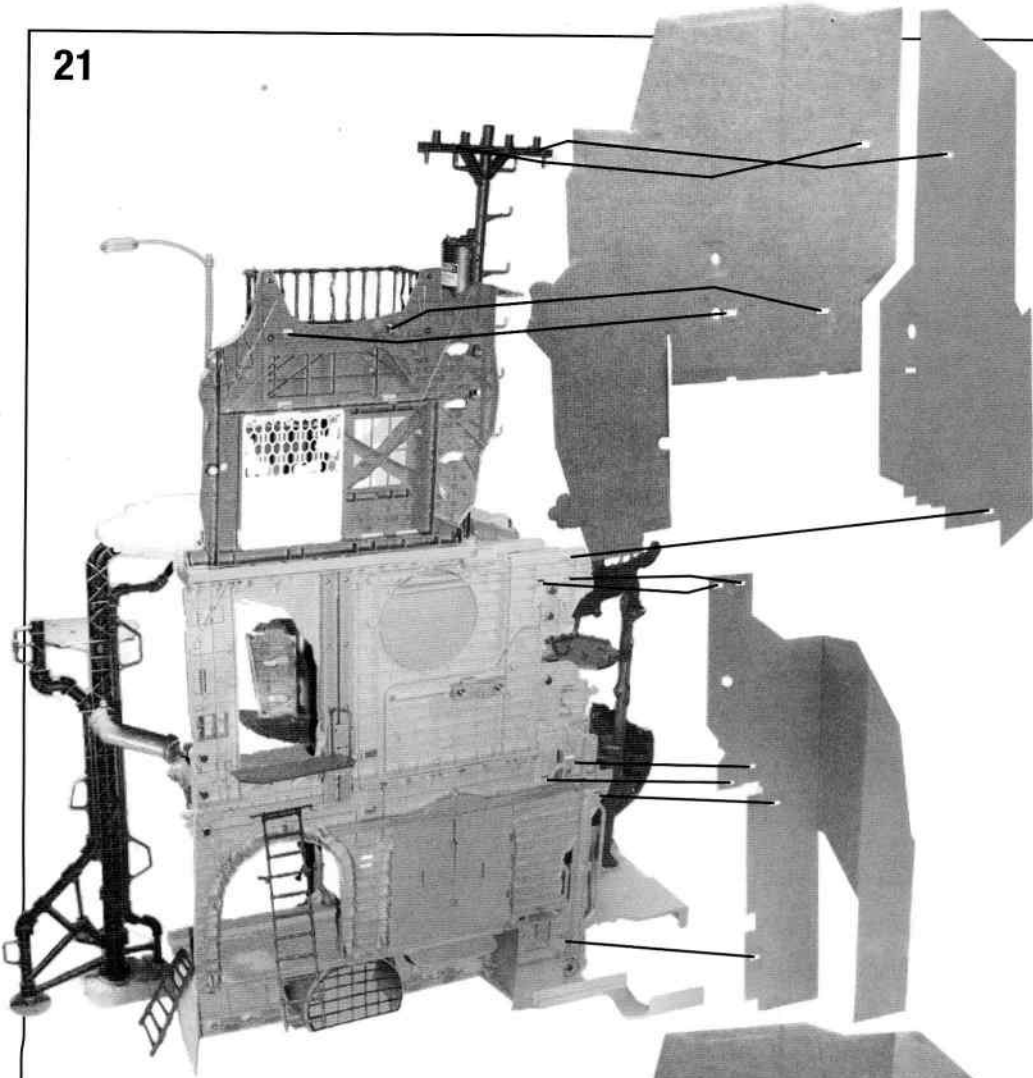
19



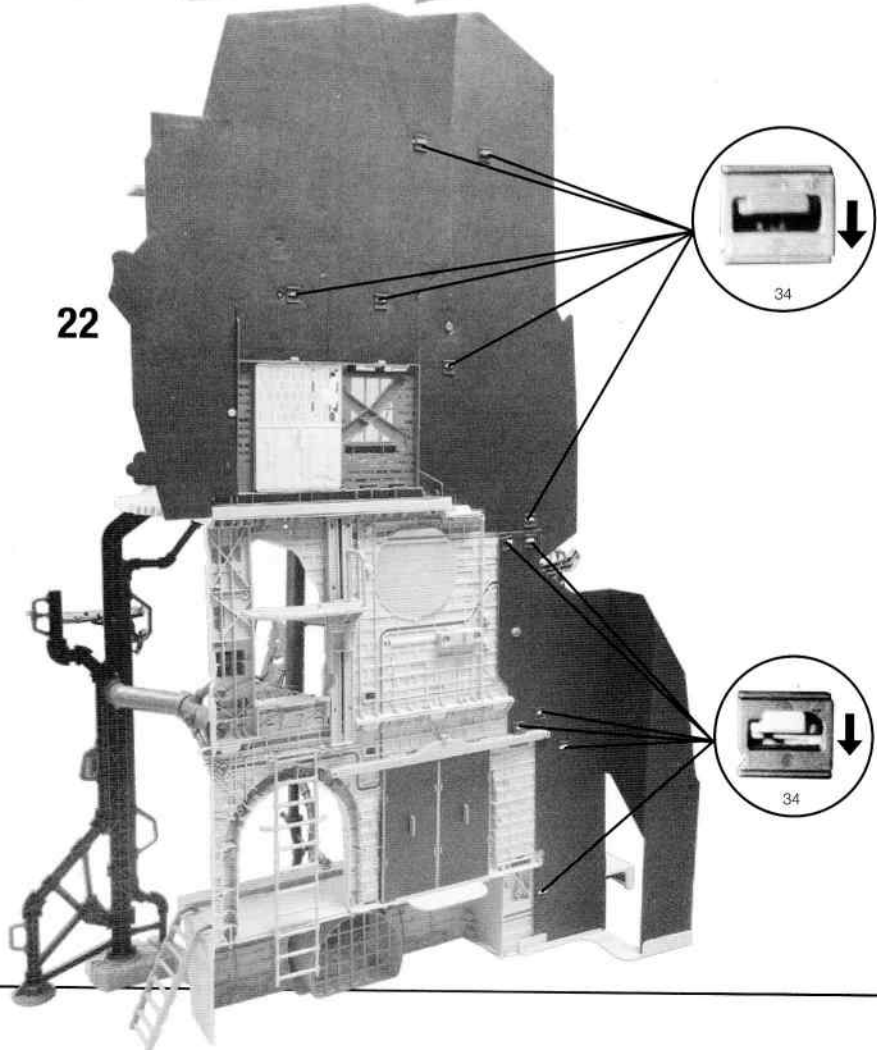
20



21



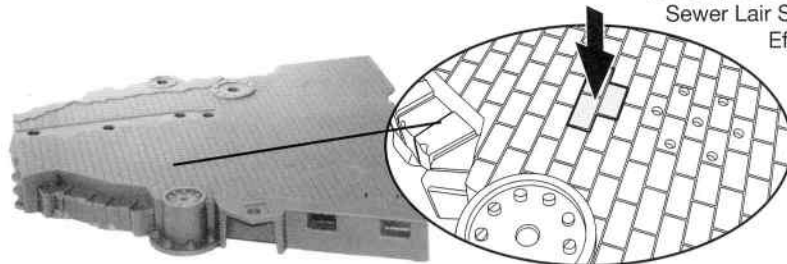
22



# TEENAGE MUTANT NINJA TURTLES™

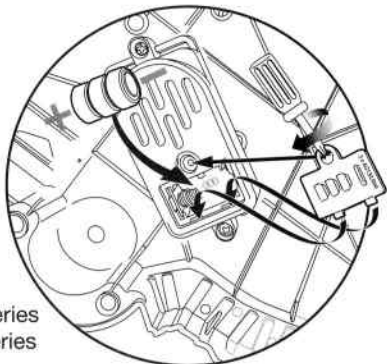
## SECRET SEWER LAIR PLAYSET WITH DIMENSION X PORTAL

Push Here for Ninja  
Turtles phrases and  
Sewer Lair Sound  
Effects.



### To Change Batteries:

- Unscrew the battery cover.
- Take out old batteries and replace with 3 new button cell (AG13/LR44) batteries.
- Replace battery cover.



### Battery Instructions:

- Different types of batteries or new and used batteries are not to be mixed.
- Only batteries of the same or equivalent type as recommended are to be used.
- Batteries are to be inserted with the correct polarity.
- Exhausted batteries are to be removed from the toy.
- The supply terminals are not to be short-circuited.
- Batteries are to be removed from the toys when not in use.
- Batteries should only be replaced by an adult.
- Do not dispose of batteries in fire.
- Do not use rechargeable batteries.
- Non-rechargeable batteries are not to be recharged.

### Batteries Regulation:

Do not mix old and new batteries. Do not mix alkaline, standard (carbon-zinc), or rechargeable (nickel-cadmium) batteries.

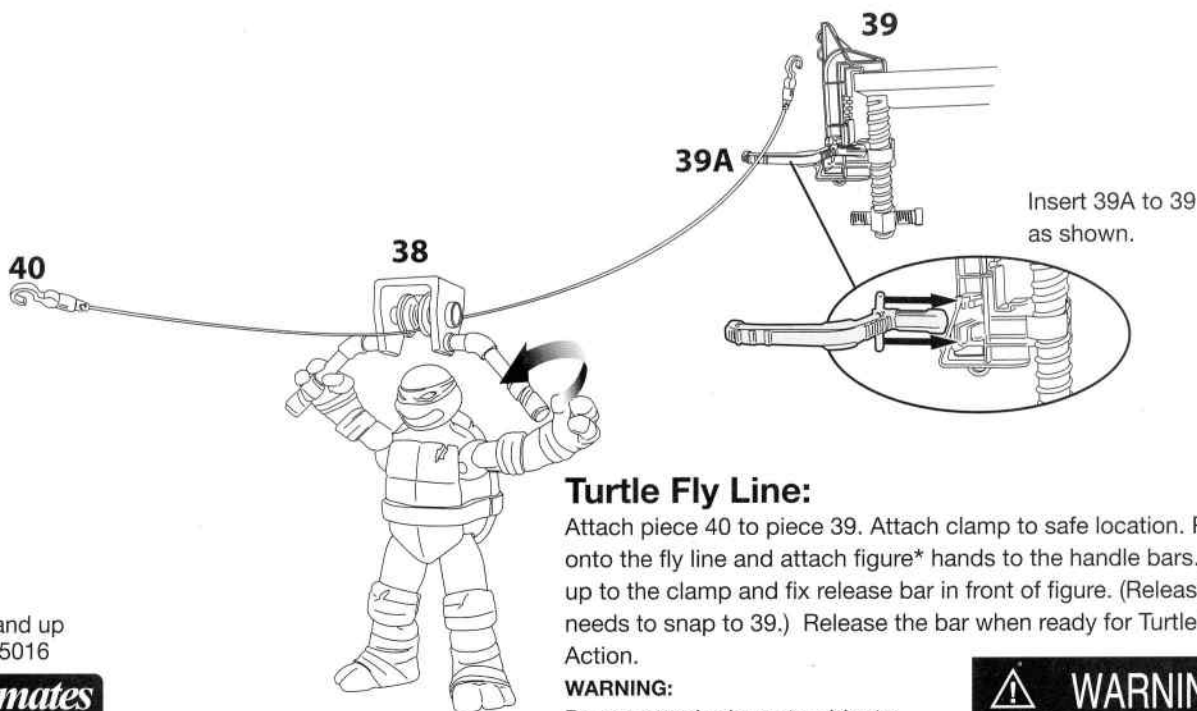
This device complies with Part 15 of the FCC Rules. Operation is subject to the following two conditions: (1) this device may not cause harmful interference, and (2) this device must accept any interference received, including interference that may cause undesired operation. In an environment with severe electrostatic discharge, the product may malfunction and require user reset.

**To Reset:** Unscrew battery cover, remove batteries and install again.

**Warning:** Changes or modifications to this unit not expressly approved by the party responsible for compliance could void the user's authority to operate the equipment.

**NOTE:** This equipment has been tested and found to comply with the limits for a Class B digital device, pursuant to Part 15 of the FCC Rules. These limits are designed to provide reasonable protection against harmful interference in a residential installation. This equipment generates, uses, and can radiate radio frequency energy and, if not installed and used in accordance with the instructions, may cause harmful interference to radio communications. However, there is no guarantee that interference will not occur in a particular installation. If this equipment does cause harmful interference to radio or television reception, which can be determined by turning the equipment off and on, the user is encouraged to try to correct the interference by one or more of the following measures:

- Reorient or relocate the receiving antenna.
- Increase the separation between the equipment and receiver.
- Connect the equipment into an outlet on a circuit different from that to which the receiver is connected.
- Consult the dealer or an experienced radio TV technician for help.



### Turtle Fly Line:

Attach piece 40 to piece 39. Attach clamp to safe location. Put piece 38 onto the fly line and attach figure\* hands to the handle bars. Pull figure up to the clamp and fix release bar in front of figure. (Release bar 39A needs to snap to 39.) Release the bar when ready for Turtle Fly Line Action.

### WARNING:

Do not attach clamp to objects that can fall over.

\* Figure sold separately.

**WARNING:**  
CHOKING HAZARD- Small parts.  
Not for Children under 3 years.  
STRANGULATION HAZARD.  
Keep long cord away from neck.

Ages 4 and up  
Asst. #95016



©2015 Viacom International Inc. All Rights Reserved. Nickelodeon, TEENAGE MUTANT NINJA TURTLES and all related titles, logos and characters are trademarks of Viacom International Inc. ©2015 Playmates. Playmates International Company Ltd. 23/F, The Toy House, 100 Canton Road, TST, Kowloon, Hong Kong. PRINTED IN CHINA.