

# TEENAGE MUTANT NINJA TURTLES™

## PIZZA THROWER

### To change batteries:

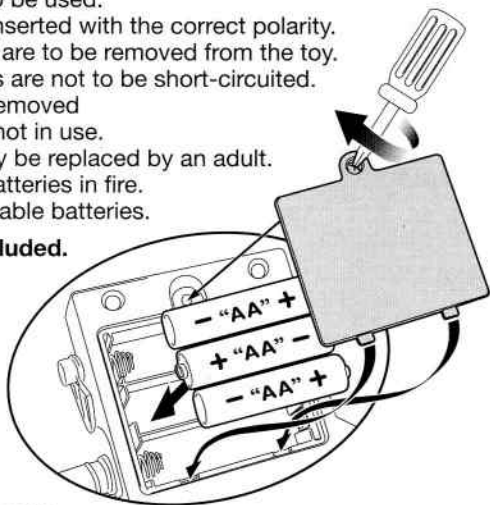
- Unscrew battery cover.
- Take out old batteries and replace with 3 new AA batteries.
- Replace battery cover.

### Batteries Regulations:

- Do not mix old and new batteries.
- Do not mix alkaline, standard (carbon-zinc), or rechargeable (nickel-cadmium) batteries.
- Non-rechargeable batteries are not to be recharged.
- Only batteries of the same or equivalent type as recommended are to be used.
- Batteries are to be inserted with the correct polarity.
- Exhausted batteries are to be removed from the toy.
- The supply terminals are not to be short-circuited.
- Batteries are to be removed from the toys when not in use.
- Batteries should only be replaced by an adult.
- Do not dispose of batteries in fire.
- Do not use rechargeable batteries.

Batteries are not included.

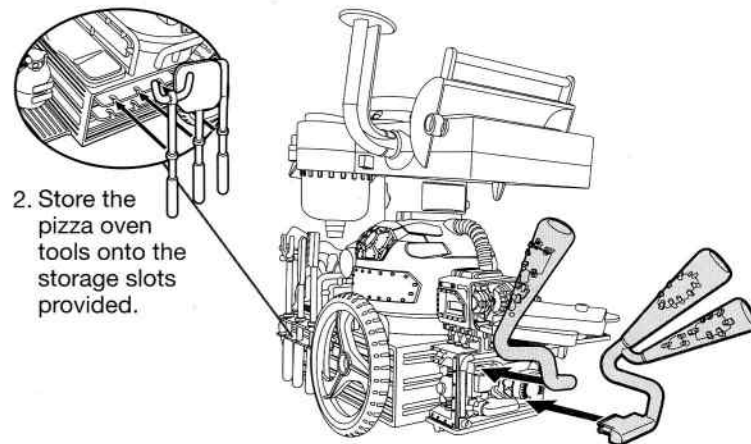
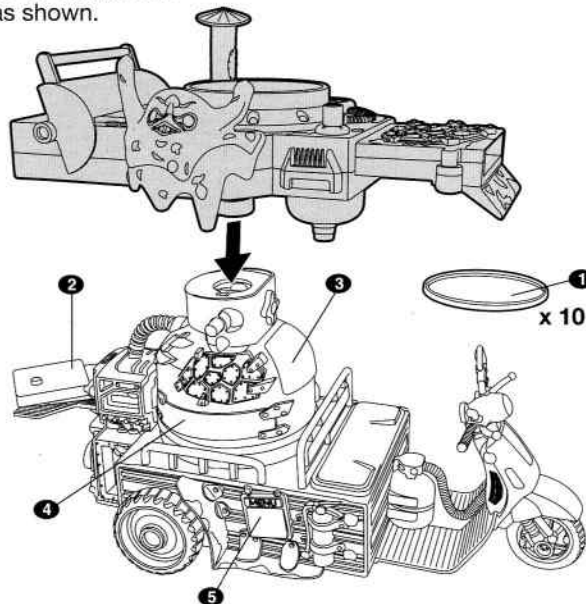
Figures not included.  
For more detailed instruction information visit [www.Playmatestoys.com](http://www.Playmatestoys.com)



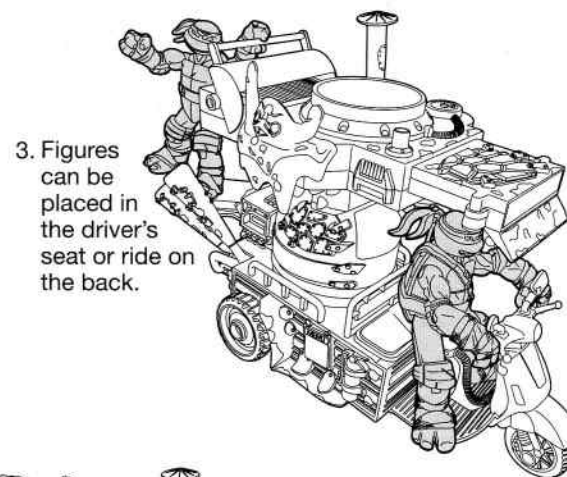
**WARNING:**  
CHOKING HAZARD- Small parts.  
Not for Children under 3 years.

**Playmates** TOYS  
Ages 4 and up  
Item #94431

1. Apply the numbered labels where shown.  
Assemble the top piece onto the Pizza Throwing body as shown.

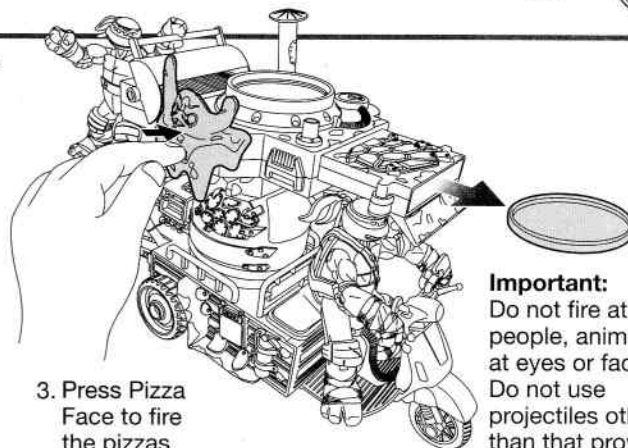
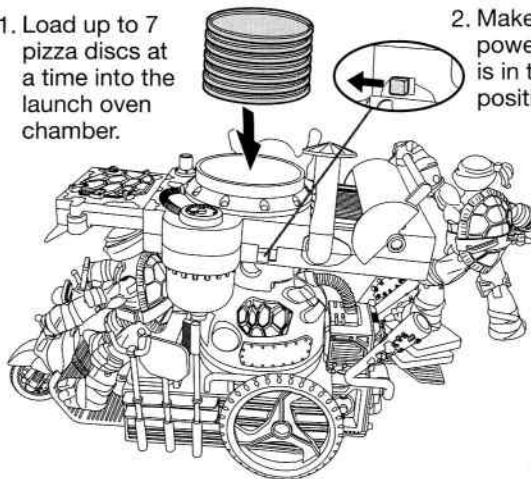


2. Store the pizza oven tools onto the storage slots provided.



3. Figures can be placed in the driver's seat or ride on the back.

1. Load up to 7 pizza discs at a time into the launch oven chamber.
2. Make sure the power switch is in the "ON" position.



3. Press Pizza Face to fire the pizzas one by one.

**Important:**  
Do not fire at people, animals or at eyes or face.  
Do not use projectiles other than that provided with this toy.