

# SHELLRAISER

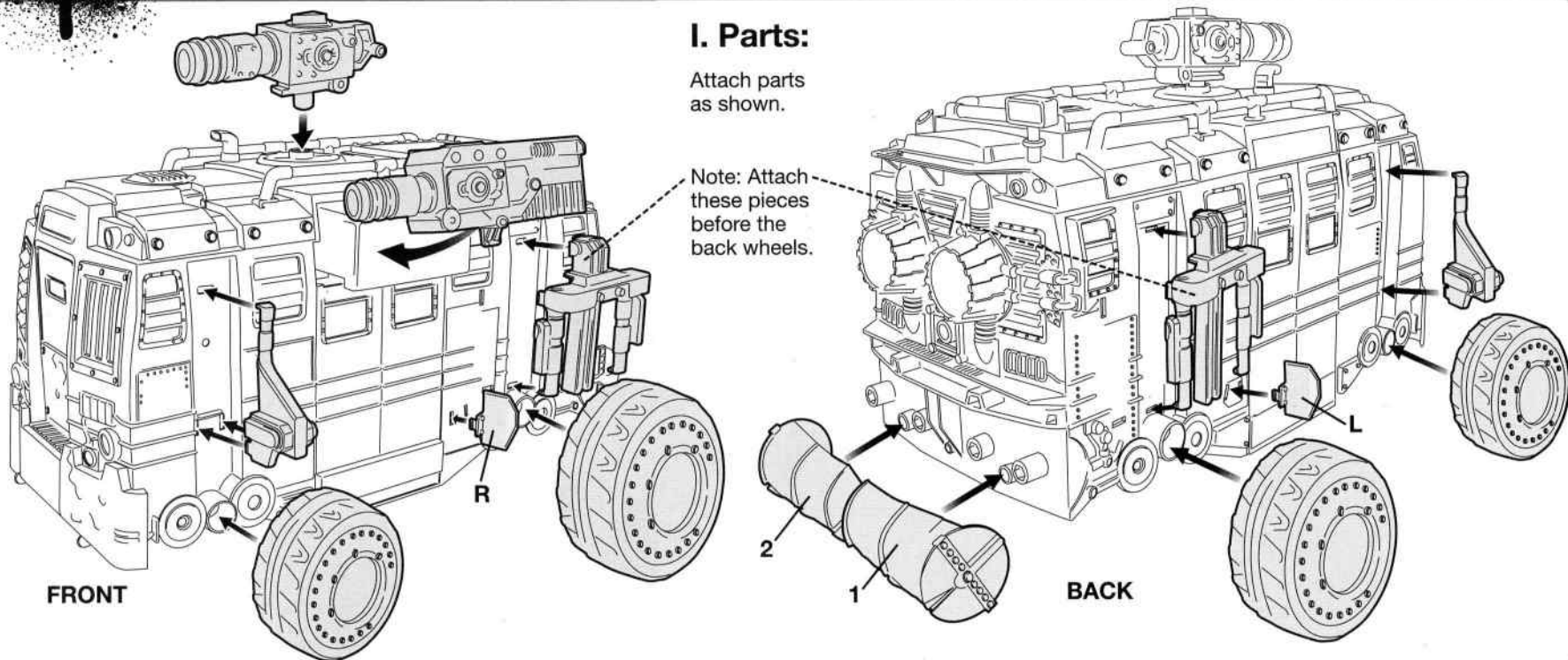
## STREET TO SEWER ASSAULT VEHICLE

### ASSEMBLY:

#### I. Parts:

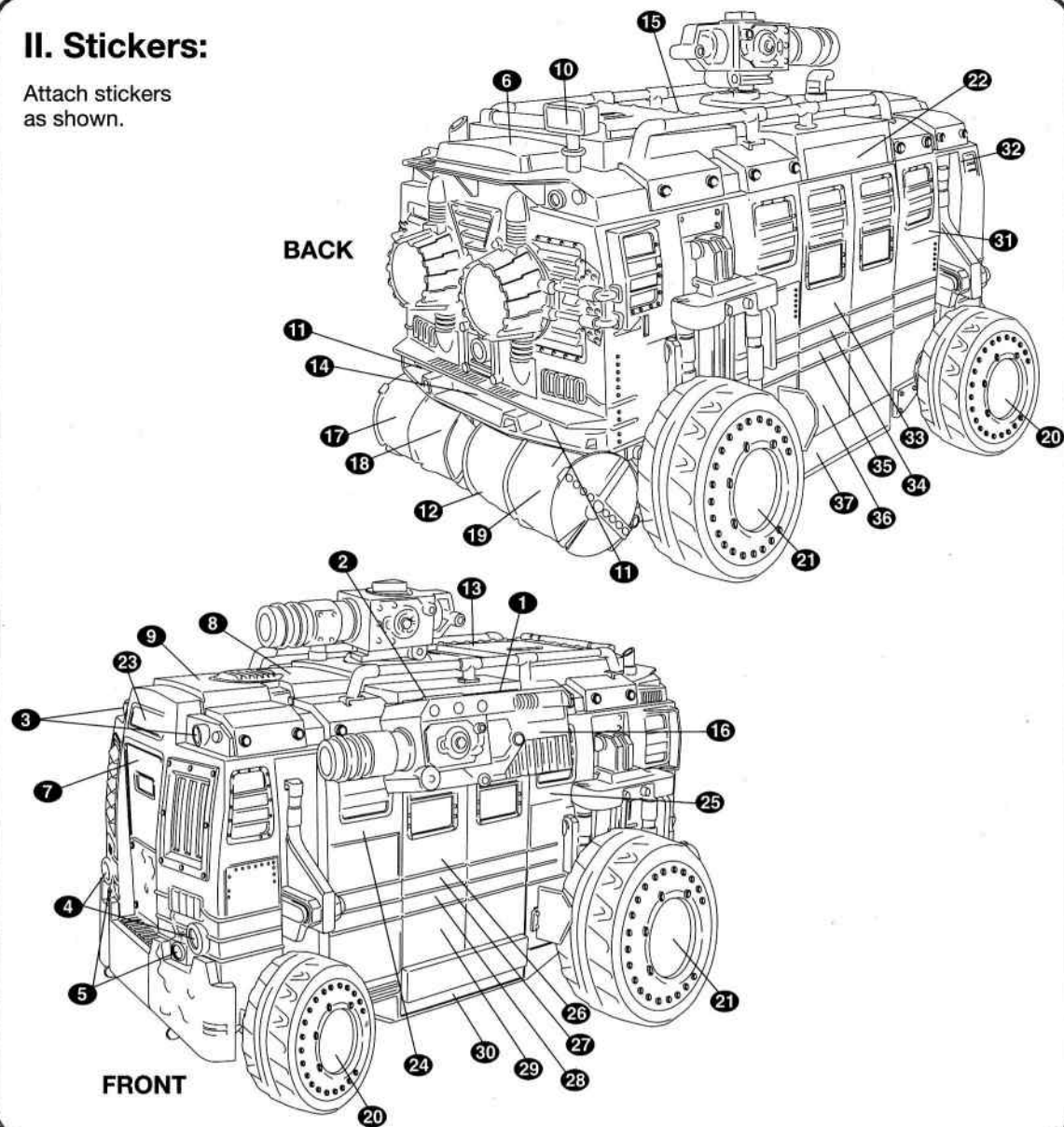
Attach parts as shown.

Note: Attach these pieces before the back wheels.



#### II. Stickers:

Attach stickers as shown.



### FEATURES:

1. Open side door.

2. Attach Turtle figure to bar as shown.

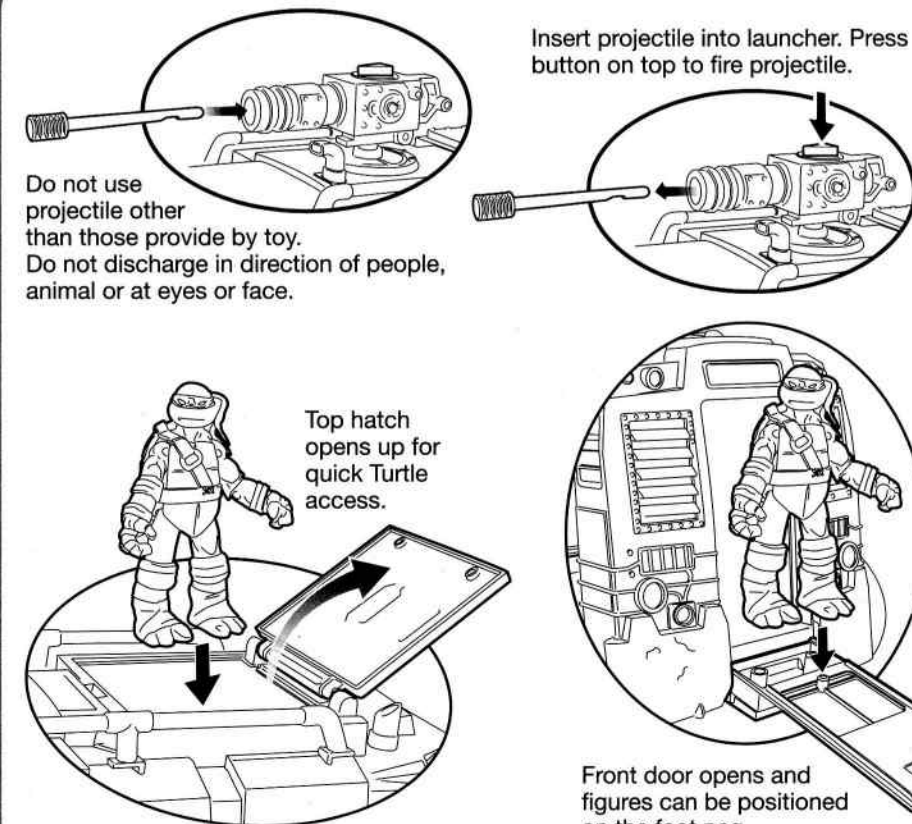
3. Attach bar with figure on it into base.

5. Make sure figure is vertical as shown. Push figure and bar inside until bar locks into place. (You may need to bend the figure knees slightly.) Close door.

4. Rotate the figure clockwise 5-6 times. Do not over rotate.

6. Hit button to release the ninja action!

Important: Keep people and animals away and clear of the Shellraiser door, before and during activation.



Do not use projectile other than those provide by toy. Do not discharge in direction of people, animal or at eyes or face.

Insert projectile into launcher. Press button on top to fire projectile.

Top hatch opens up for quick Turtle access.

Front door opens and figures can be positioned on the foot peg.

Ages 4 and up  
Asst. #94425  
Item #94429

Figure not included. Not all figures will work with all features. For more detailed instruction information visit [www.Playmatestoy.com](http://www.Playmatestoy.com)



©2016 Viacom International Inc. All Rights Reserved. Nickelodeon, TEENAGE MUTANT NINJA TURTLES and all related titles, logos and characters are trademarks of Viacom International Inc.  
©2016 Playmates. Playmates International Company Ltd.  
23/F, The Toy House, 100 Canton Road, TST, Kowloon, Hong Kong. PRINTED IN CHINA.

**WARNING:**  
CHOKING HAZARD- Small parts. Not for Children under 3 years.