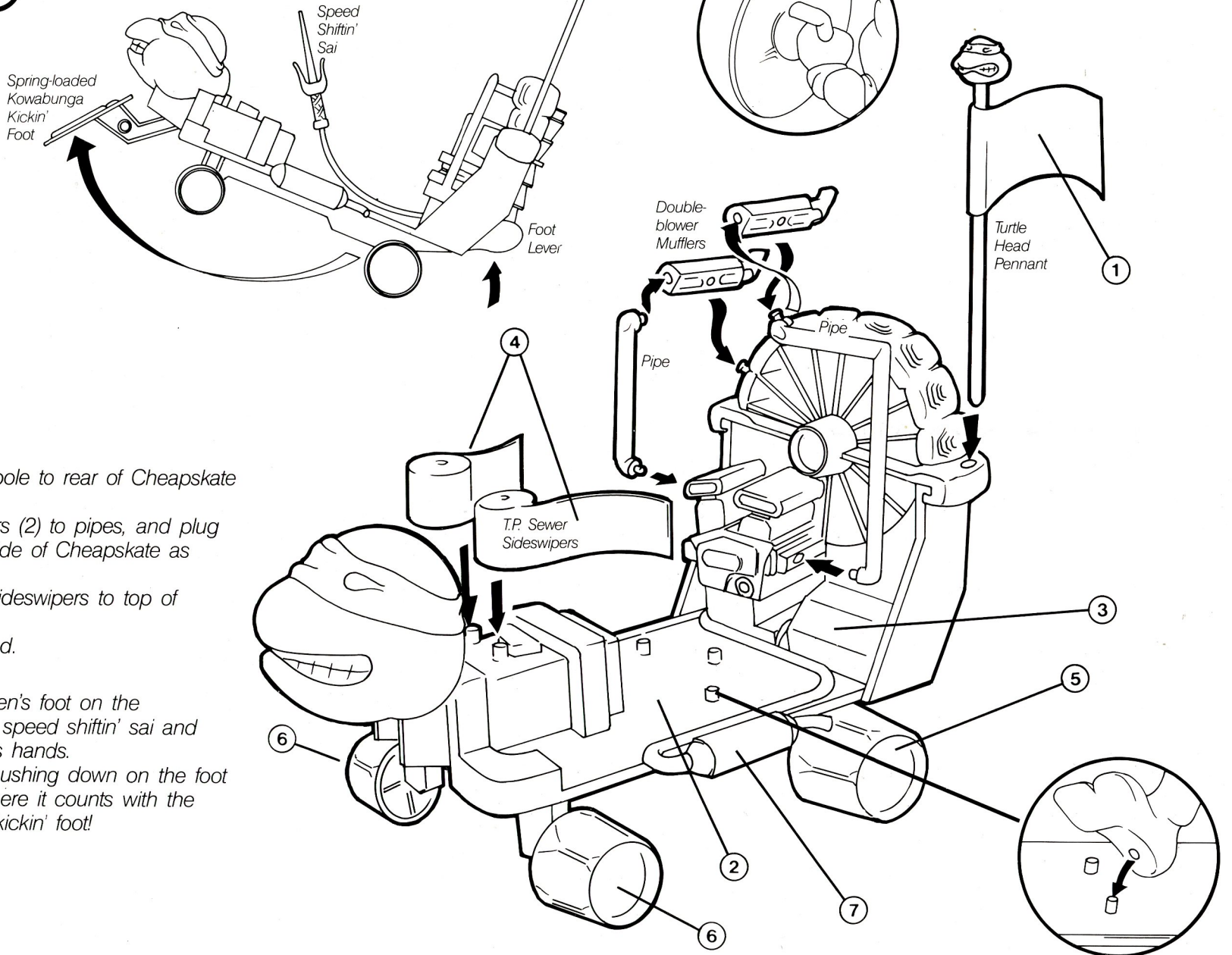
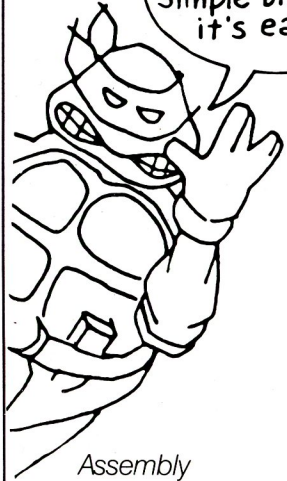


TEENAGE MUTANT NINJA TURTLES®

Kids,
follow these
simple blueprints,
it's easy!



Assembly

- Plug Turtle head pennant pole to rear of Cheapskate as shown.
- Snap double-blower mufflers (2) to pipes, and plug assembled units to each side of Cheapskate as indicated.
- Attach two (2) T.P. Sewer Sideswipers to top of Cheapskate as shown.
- Place labels 1-7 as indicated.

Directions

- Place your favorite Turtle teen's foot on the skateboard peg. Place the speed shiftin' sai and manhole cover shield in his hands.
- Tilt the Cheapskate back pushing down on the foot lever, and kick the Foot where it counts with the spring-loaded kowabunga kickin' foot!

AGES 4 & UP
STOCK NO. 5017-2

Playmates®