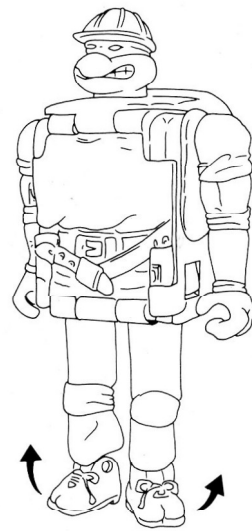


Mutations™

TEENAGE MUTANT NINJA

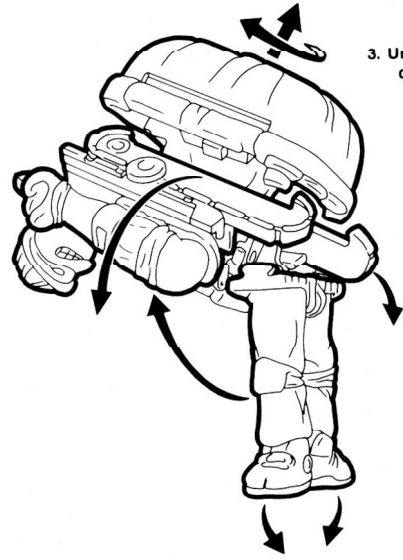
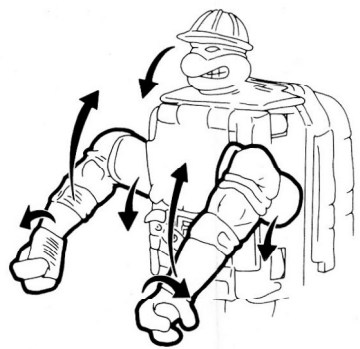
TURTLES

Get ready for some heavy duty Mutatin', dude!

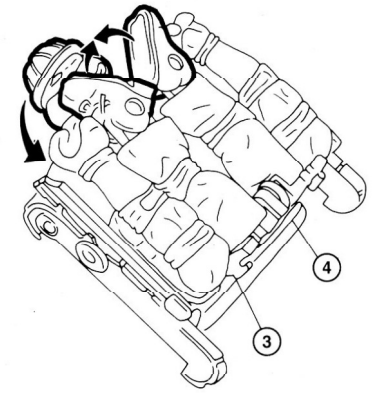


1. Position Construction Mutation Donatello's feet so they are turned out, as shown.

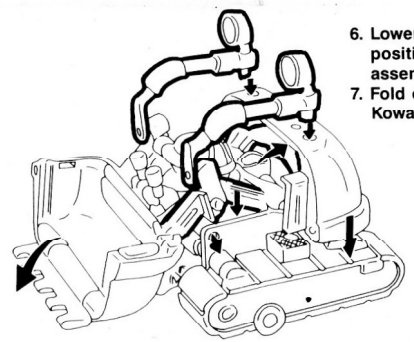
2. Pull down on Donatello's shoulders to unsnap and release the inner arm bracket. Rotate the brackets down while rotating the arms up. Donatello's shoulders should now be at hip level, while his hands are tucked up alongside where his shoulders used to be. Swing his fists around as shown. Swing his head assembly forward.



3. Unsnap the leg latch and fold the legs up to Donatello's chest as shown. Fold out the side arm assemblies and position next to Donatello's legs. Rotate the Turtle shell back 180 degrees. Fold Donatello's feet up as shown.

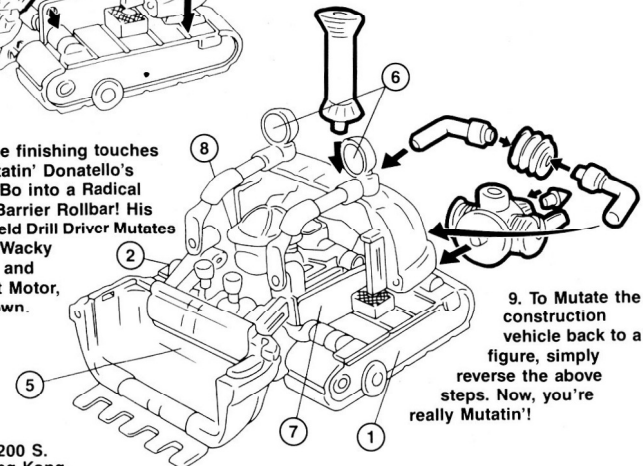


5. Separate the Turtle shell back to expose the insides. Pull forward on the front half of the Turtle shell back. This becomes the bulldozer scoop. Flip Donatello's head assembly back as shown. Position the scoop up and over Donatello's head, then push down and snap into place. Make sure Donatello's head is facing forward, toward the scoop.



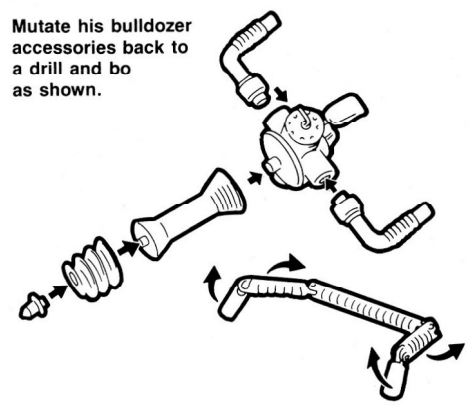
6. Lower the rear section of the Turtle shell back into position as shown. Swing the bulldozer light assemblies around and snap into place.
7. Fold out the front teeth on the bulldozer scoop. Kowabunga! The Mutatin's almost over!

8. Add the finishing touches by Mutatin' Donatello's Battle Bo into a Radical Road Barrier Rollbar! His Handheld Drill Driver Mutates into a Wacky Winch and Mutant Motor, as shown.



9. To Mutate the construction vehicle back to a figure, simply reverse the above steps. Now, you're really Mutatin'!

Mutate his bulldozer accessories back to a drill and bo as shown.



CAUTION: Never force parts together. The Mutation process is accomplished with patience and a little snapping. If parts aren't fittin' just right, try re-aligning the pieces.

4. Swing down the tractor tread assembly. Pivot the inside armature back as far as it will go. Swing the tractor tread assembly up and around, then snap into position as shown. NOTE: This is a tight fitting snap.

