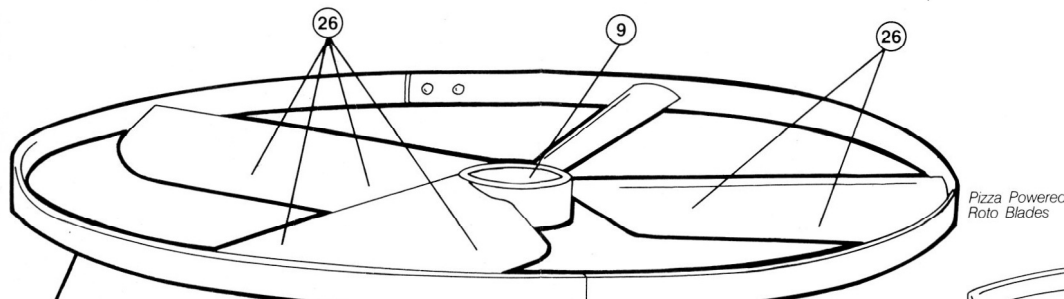


TEENAGE MUTANT NINJA TURTLES

FIGURE NOT INCLUDED.

Kids,
follow these
simple blueprints,
it's easy!



Pizza Powered Roto Blades

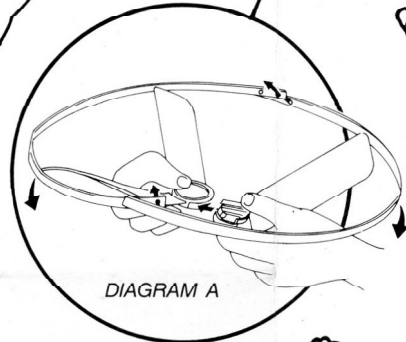


DIAGRAM A

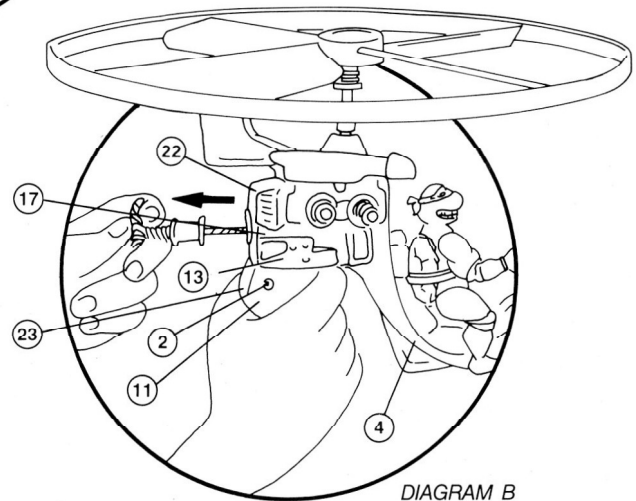
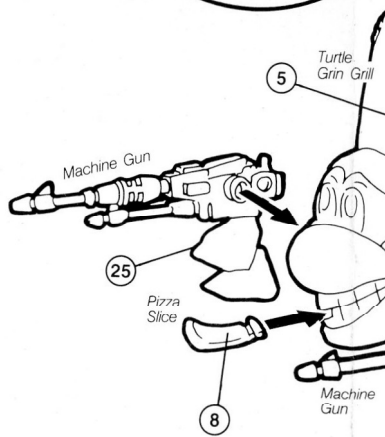
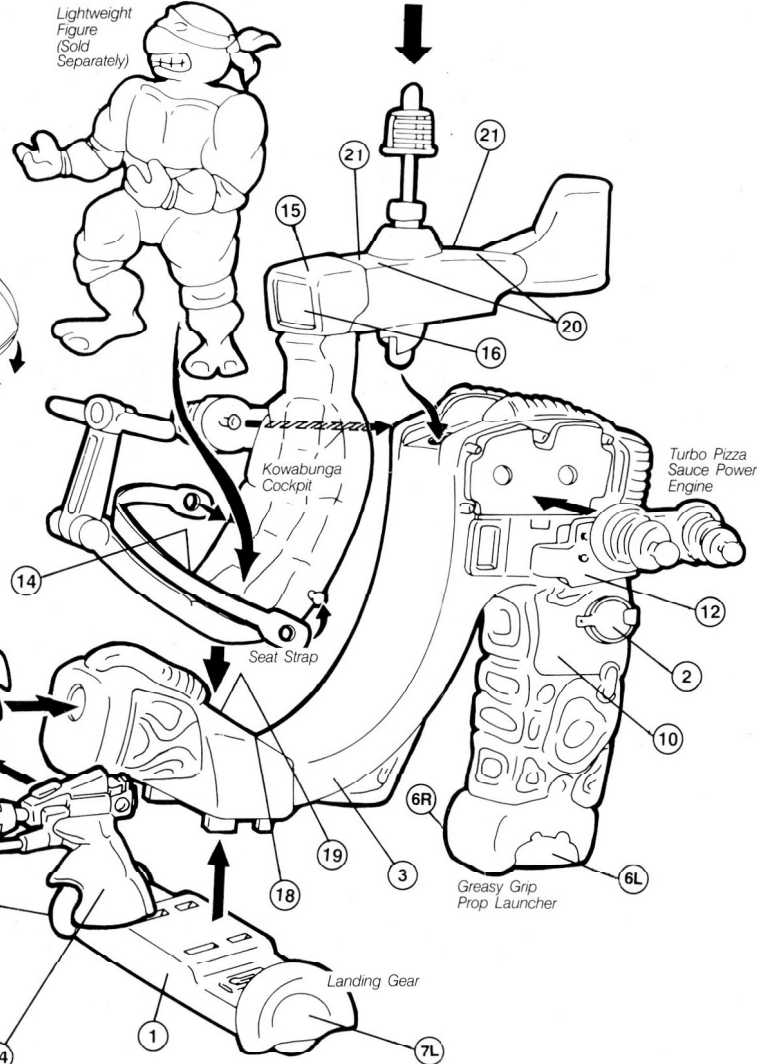


DIAGRAM B



1. Fold out the Pizza Powered Roto Blades and slide the centers together so that the ring locks. Next, snap the locking pins on the outer ring together. (See Diagram A) Place the Pizza Powered Roto Blades directly over the axle of the Kowabunga Cockpit and snap down as shown.
NOTE: Once you have assembled the Pizza Powered Roto Blades DO NOT disassemble it.
2. Attach the landing gear to the Greasy Grip Prop Launcher as shown. Slide the Pizza Slice into the Turtle Grin Grill and attach the Grill to the front of the Greasy Grip Prop Launcher. Next, snap the two Side Swipin' Pizza Loaded Machine Guns onto the Turtle Grin Grill. Finally, attach the Turbo Pizza Sauce Powered Engines where indicated.
3. Fit the Kowabunga Cockpit onto the Greasy Grip Prop Launcher as shown. Make sure the bottom of the axle fits into the Engine Mount Hole on the top of the Greasy Grip Prop Launcher.
4. Now place one of your favorite Turtle Teens in the Kowabunga Cockpit and use the Anti-gravity Safety Strap to secure him in place.
NOTE: For best results use a lightweight character.
5. Hold the Greasy Grip Prop Launcher at arms length and tilt it slightly forward. Grab hold of the Radical Rip-roarin' Retractin' Rip Cord with the other hand and quickly pull straight back. Release the Rip Cord and it automatically retracts. (See Diagram B)

- NOTES:**
1. Make sure you use a lightweight character. If the Pizza Powered Prop does not fly well, then try a lighter character.
 2. Make sure you fly the Pizza Powered Prop over a large grassy area.
 3. Make sure you hold the Greasy Grip Prop Launcher at arms length and tilt it slightly forward.
- CAUTION:**
- DO NOT play with the Pizza Powered Prop indoors.
 - DO NOT play with the Pizza Powered Prop near overhead power lines.
 - DO NOT aim the Pizza Powered Prop at any living thing.
 - DO NOT tilt the Pizza Powered Prop back when launching.
 - DO NOT pull the Rip Cord all the way out of the Prop Launcher.

STOCK NO. 3498
AGES 4 AND UP

